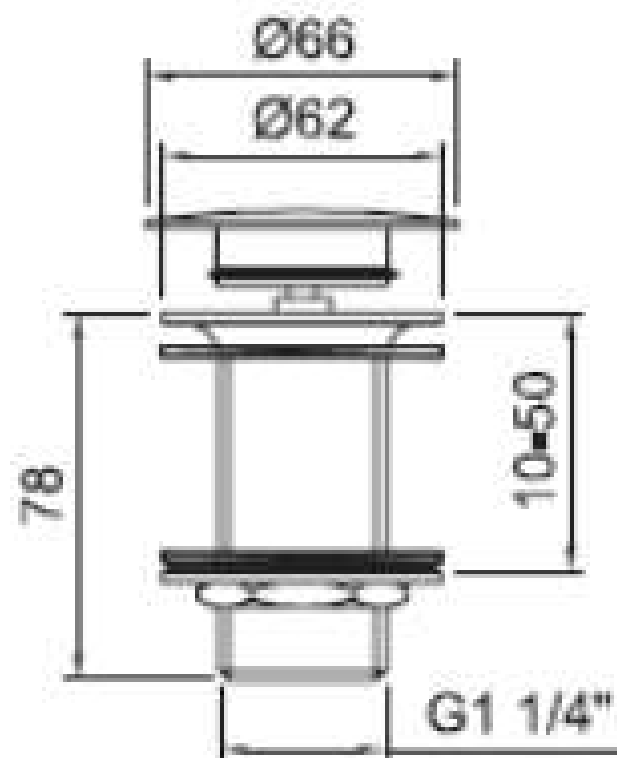


# VÁLVULA DESAGÜE SISTEMA QUICK-CLAC

*Basin click waste*

VELA



97395:

*Sin rebosadero.  
Without overflow.*

96255:

*Con rebosadero.  
With overflow.*