



MARCA



MODELO

MONTANA 920 V19

Categoría producto: MOTOSIERRA

Grupo producto: GASOLINA

Cilindrada: 49,5 c.c.

Versión: V19

Publicación: 06-19

Cód.: 40G-0137

FIG 1

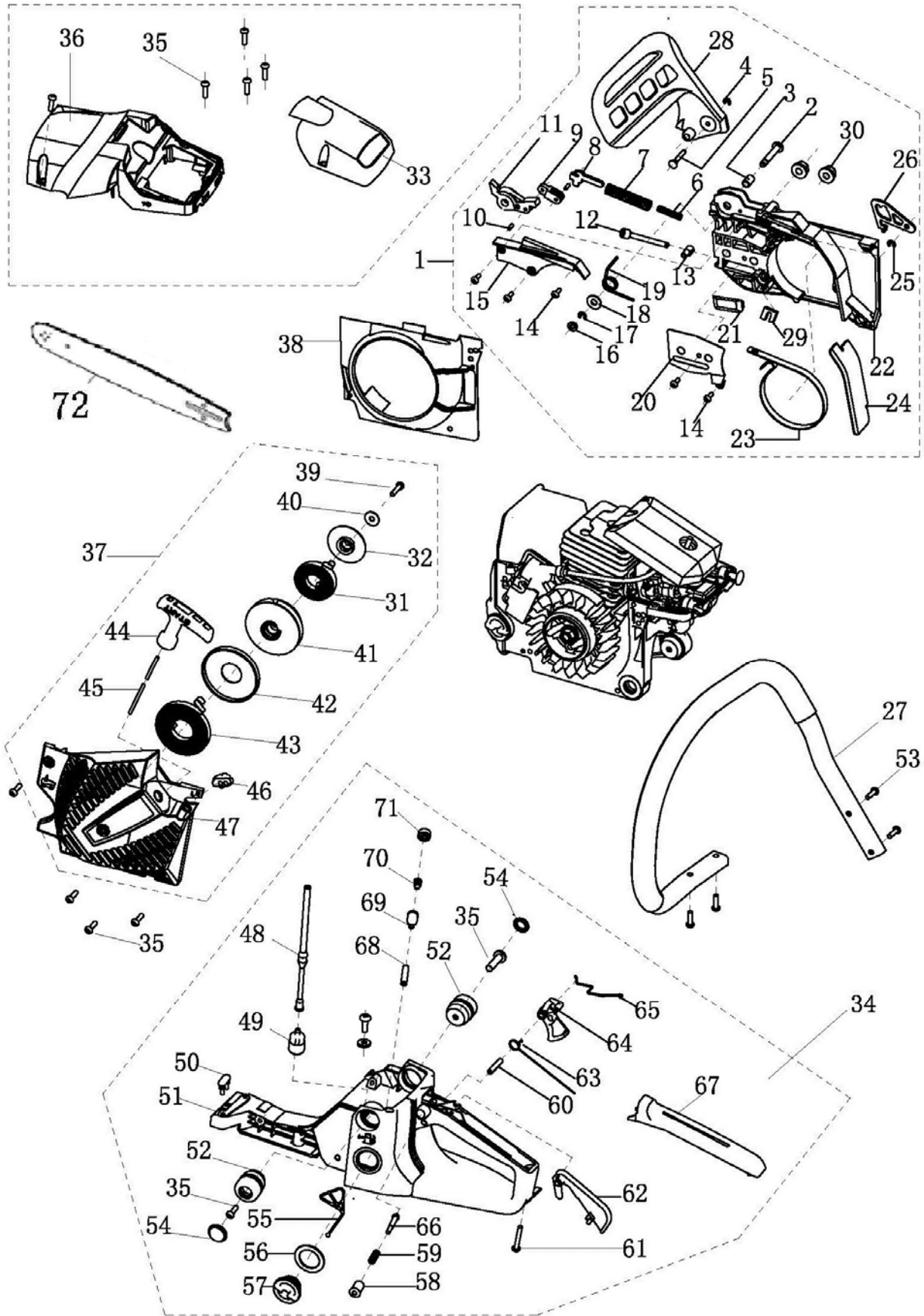


FIG. 1 MONTANA 920 V19

Nº	Nº Ref.	Descripción	English name	Uds.
1	G5820B-1-1	TAPA CADENA	RIGHT COVER ASSEMBLY	1
2	G5820B-1-2	PASADOR	SHIELD PIN	1
3	G5820B-1-3	CASQUILLO	SHIELD PIN GLAND	1
4	G5820B-1-4	FRENILLO	RING	1
5	G5820B-1-5	PASADOR	SPACER PIN	1
6	G5820B-1-6	MUELLE FRENO	SECONDARY BRAKE SPRING	1
7	G5820B-1-7	MUELLE FRENO	BRAKE SPRING	1
8	G5820B-1-8	PORTA MUELLE FRENO	BRAKE CONTROL ROD	1
9	G5820B-1-9	MECANISMO FRENO	SECONDARY PULL-ROD	1
10	G5820B-1-10	PASADOR	PIN 3X9	1
11	G5820B-1-11	LEVA FRENO	MAIN LEVEL	1
12	G5820B-1-12	TORNILLO TENSOR	TIGHTENER SCREW	1
13	G5820B-1-13	PIVOTE TENSOR	TENSION BLOCK	1
14	G5820B-1-14	TORNILLO	TAPPING SCREW ST4X8	5
15	G5820B-1-15	TAPA MECANISMO	BRAKE SPRING COVER PLATE	1
16	G5820B-1-16	ARANDELA	SHOCK RUBBER WASHER	1
17	G5820B-1-17	FRENILLO	SHIELD RING	1
18	G5820B-1-18	ARANDELA	WASHER 6	1
19	G5820B-1-19	MUELLE	BRAKE TORSION ROD SPRING	1
20	G5820B-1-20	CHAPA ESPADA	TENSIONER COVER PLATE	1
21	G5820B-1-21	ASIENTO ESPADA	CHAIN GUIDE DOG	1
22	G5820B-1-22	CARCASA TAPA CADENA	RIGHT COVER	1
23	G5820B-1-23	FLEJE FRENO	BRAKE STRAP	1
24	G5820B-1-24	GOMA	DUST SHIELD	1
25	G5820B-1-25	FRENILLO	SHIELD RING	1
26	G5820B-1-26	SOPORTE	SPACING SHIELD	1
27	G5820B-1-27	ASIDERO	FRON HANDLE ASSEMBLY	1
28	G5820B-1-28	PALANCA FRENO	FRONT DAMPER	1
29	G5820B-1-29	FIJADOR TENSOR	LIMITED BLOCK	1
30	G5820B-1-30	TUERCA ESPADA	NUT M8	2
31	G5820B-1-31	MUELLE	SECOND START COIL-SPRING	1
32	G5820B-1-32	POLEA CONECTORA	SECOND START PLATE	1
33	G5820B-1-33	TAPA FILTRO AIRE	AIR FILTER COVER	1
34	G5820B-1-34	KIT DEPOSITOS	FUEL TANK ASSEMBLY	1
35	G5820B-1-35	TORNILLO M5X16	SCREW M5X16	10
36	G5820B-1-36	CARCASA SUPERIOR	UPPER COVER PLATE	1

FIG. 1 MONTANA 920 V19

Nº	Nº Ref.	Descripción	English name	Uds.
37	G5820B-1-37	ARRANCADOR COMPLETO	STARTER ASSEMBLY	1
38	G5820B-1-38	DEFLECTOR	BOSSING	1
39	G5820B-1-39	TORNILLO M5X10	SCREW M5X10	1
40	G5820B-1-40	ARANDELA POLEA	WASHER 5	1
41	G5820B-1-41	POLEA CORDON	START PLATE	1
42	G5820B-1-42	TAPA MUELLE	COIL-SPRING GLAND	1
43	G5820B-1-43	MUELLE	START COIL-SPRING	1
44	G5820B-1-44	PUÑO TIRADOR	START HANDLE	1
45	G5820B-1-45	CORDON	START STRETCHING WIRE	1
46	G5820B-1-46	TAPA REGLAJES	LH SHEATHING	1
47	G5820B-1-47	CARCASA ARRANCADOR	START COVER	1
48	G5820B-1-48	TUBO GASOLINA	FUEL TUBE	1
49	G5820B-1-49	FILTRO GASOLINA	PETROL FILTER COMPONENTS	1
50	G5820B-1-50	AMORTIGUADOR	SHOCK RUBBER	1
51	G5820B-1-51	DEPOSITO BASE	BASE	1
52	G5820B-1-52	SILENTBLOCK	SHOCK RUBBER GLAND	2
53	G5820B-1-53	TORNILLO	TAPPING SCREW ST5X16	4
54	G5820B-1-54	TAPA SILENTBLOCK	DUST COVER	2
55	G5820B-1-55	FIJADOR TAPON	ANTI-DROP PLATE	1
56	G5820B-1-56	JUNTA TAPON	PACKING WASHING 20X30X2	1
57	G5820B-1-57	TAPON GASOLINA	OIL COVER	1
58	G5820B-1-58	BOTON FIJADOR	BUTTON	1
59	G5820B-1-59	MUELLE FIJADOR	BUTTON SPRING	1
60	G5820B-1-60	PASADOR GATILLO	PIN 6X30	1
61	G5820B-1-61	TORNILLO	TAPPING SCREW ST4X25	1
62	G5820B-1-62	FIJADOR GATILLO	TRIGGER CONTROL RACK	1
63	G5820B-1-63	MUELLE GATILLO	TRIGGER TORSION ROD SPRING	1
64	G5820B-1-64	GATILLO ACELERADOR	TRIGGER	1
65	G5820B-1-65	VARILLA ACELERADOR	THROTTLE	1
66	G5820B-1-66	EJE FIJADOR	BUTTON SHAFT	1
67	G5820B-1-67	TAPA MANILLAR	HANDLE COVER	1
68	G5820B-1-68	TUBO VALVULA	BALANCER OIL TUBE	1
69	G5820B-1-69	KIT VALVULA	BALANCER BODY	1
70	G5820B-1-70	VER G5820B-1-69	BALANCER RUBBER	1
71	G5820B-1-71	VER G5820B-1-69	BALANCER COVER	1
72	71MONTANA920-83	ESPADA 20" 3,25/ 0,58	BLADE 20" 3.25/0,58	1
73	7132505876	CADENA 76E.325".058	CHAIN 76 325".058	1

FIG 2

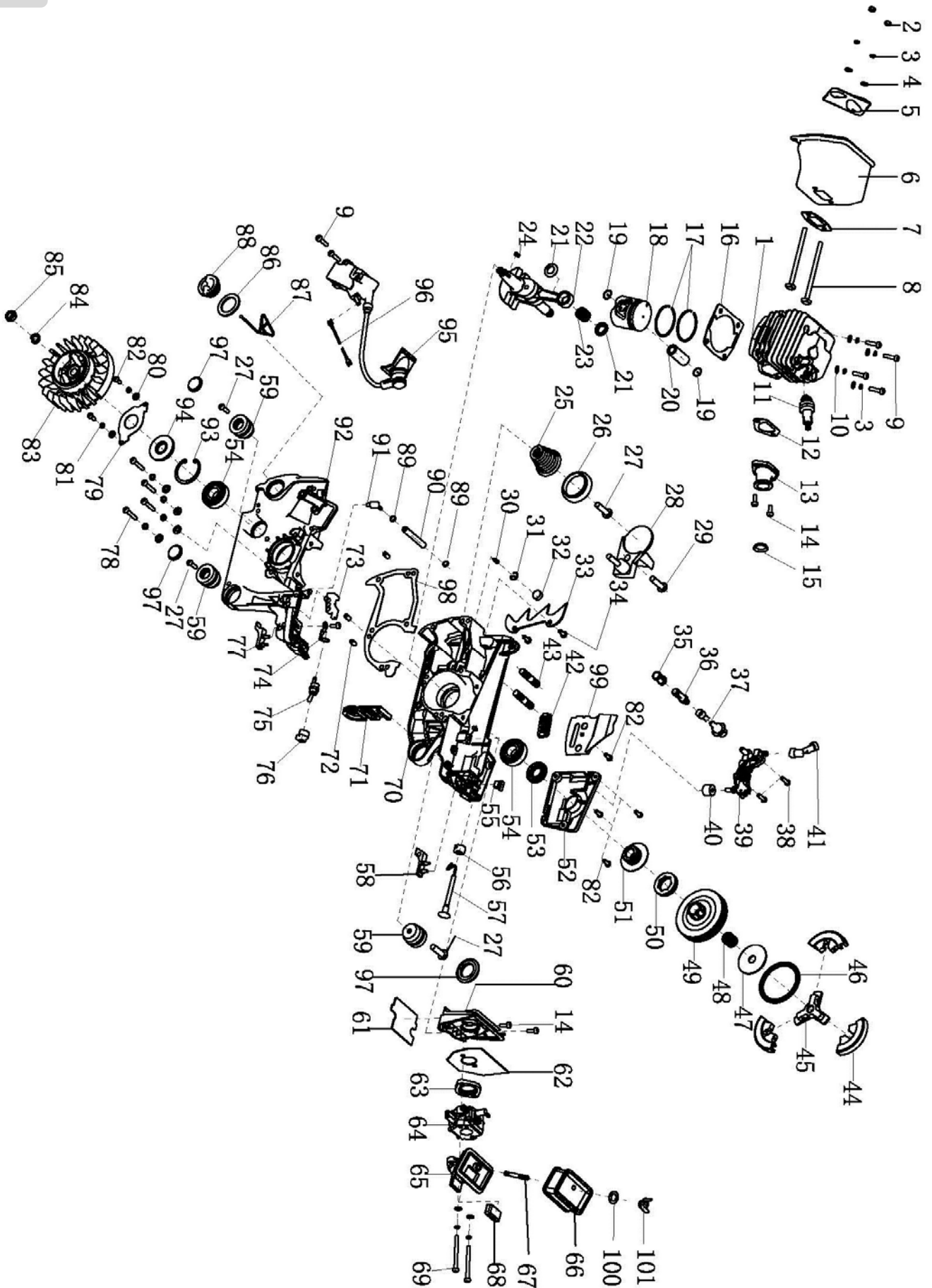


FIG. 2 MONTANA 920 V19

Nº	Nº Ref.	Descripción	English name	Uds.
1	G5820B-2-1	CILINDRO	CYLINDER BODY	1
2	G5820B-2-2	TUERCA ESCAPE	NUT M5	2
3	G5820B-2-3	ARANDELA	WASHER 5	6
4	G5820B-2-4	ARANDELA	WASHER 5	6
5	G5820B-2-5	PLACA ESCAPE	SILENCER COVER PLATE	1
6	G5820B-2-6	SILENCIADOR	SILENCER BODY	1
7	G5820B-2-7	JUNTA ESCAPE	SILENCER SEALING PLATE	1
8	G5820B-2-8	TORNILLO ESCAPE	CONNECTING SCREW	2
9	G5820B-2-9	TORNILLO M5X20	SCREW M5X20	6
10	G5820B-2-10	ARANDELA	WASHER 5	4
11	7199240010	BUJIA MOTORES 2T (RCJ6Y)	SPARK PLUG 2T	1
12	G5820B-2-12	JUNTA ADMISION	SEALING PLATE	1
13	G5820B-2-13	CUELLO ADMISION	AIR INTAKE TUBE	1
14	G5820B-2-14	TORNILLO M5X12	SCREW M5X12	2
15	G5820B-2-15	ANILLO ADMISION	HOLD COIL	1
16	G5820B-2-16	JUNTA CILINDRO	CYLINDER SEALING PLATE	1
17	G5820B-2-17	SEGMENTO	PISTON RING	2
18	G5820B-2-18	PISTON	PISTON	1
19	G5820B-2-19	FRENILLO BULON	PISTON PIN CIRCLIP	2
20	G5820B-2-20	BULON	PISTON PIN	1
21	G5820B-2-21	SEPARADOR BIELA	NEEDLE BEARING RING	1
22	G5820B-2-22	CIGÜEÑAL + BIELA	CRANKSHAFT COMPONENTS	1
23	G5820B-2-23	COJINETE BULON	NEEDLE BEARING 11X15X12.5	1
24	G5820B-2-24	CHAVETA	KEY 3X3.5X10	1
25	G5820B-2-25	MUELLE AMORTIGUADOR	CONICAL SPREADER SPRING	1
26	G5820B-2-26	BASE MUELLE	CONICAL SPREADER BASE	1
27	G5820B-2-27	TORNILLO	TAPPING SCREW ST5X16	1
28	G5820B-2-28	RETENEDOR CADENA	CHAIN CATCHER	1
29	G5820B-2-29	TORNILLO M5X16	SCREW M5X16	1
30	G5820B-2-30	VALVULA	AERATION JET	1
31	G5820B-2-31	FRENILLO VALVULA	AERATION JET CIRCLIP	1
32	G5820B-2-32	ESPONJA VALVULA	SPONGE TRANSITION BLOCK	1
33	G5820B-2-33	GARRA	BUMPER SPIKES	1
34	G5820B-2-34	TORNILLO M5X10	SCREW M5X10	2

FIG. 2 MONTANA 920 V19

Nº	Nº Ref.	Descripción	English name	Uds.
35	G5820B-2-35	FILTRO ACEITE	OIL FILTER	1
36	G5820B-2-36	CUERPO FILTRO	OIL FILTER SCREEN	1
37	G5820B-2-37	TUBO ACEITE	OIL TUBE	1
38	G5820B-2-38	TORNILLO M4X14	SCREW M4X14	2
39	G5820B-2-39	BOMBA ACEITE	OIL PUMP	1
40	G5820B-2-40	ANILLO REGULADOR	SPONGE TRANSITION COIL	1
41	G5820B-2-41	CONECTOR	NOZZLE	1
42	G5820B-2-42	TOPE ESPADA	CHAIN GUIDE BLOCK	1
43	G5820B-2-43	ESPARRAGO ESPADA	DOUBLE-SCREW BOLT	2
44	G5820B-2-44	EMBRAGUE COMPLETO	SHOE BLOCK	3
45	G5820B-2-45	CRUCETA EMBRAGUE G5820B-2-44	RETAINER	1
46	G5820B-2-46	MUELLE EMBRAGUE G5820B-2-44	CLUTCH EXTENSION SPRING	1
47	G5820B-2-47	ARANDELA EMBRAGUE	CLUTCH ADJUSTING WASHER	1
48	G5820B-2-48	COJINETE PIÑON	NEEDLE BEARING 12X15X14.5	1
49	G5820B-2-49	CAMPANA PIÑON	CLUTCH SHELL	1
50	G5820B-2-50	PIÑON ARRASTRE	SPROCKET	1
51	G5820B-2-51	SINFIN BOMBA	TURBINE	1
52	G5820B-2-52	TAPA BOMBA	COVER PLATE	1
53	G5820B-2-53	RETEN 15X28X4,5	OIL SEAL 15X28X4.5	1
54	G5820B-2-54	COJINETE BANCADA	BEARING	1
55	G5820B-2-55	AMORTIGUADOR	SHOCK BLOCK	1
56	G5820B-2-56	SOPORTE TIRADOR AIRE	RETAINING BRACKET	1
57	G5820B-2-57	TIRADOR AIRE	THROTTLE ROD	1
58	G5820B-2-58	AMORTIGUADOR DERECHO	RIGHT SHOCK BLOCK	1
59	G5820B-2-59	SILENTBLOCK	CUSHION SOCKET	1
60	G5820B-2-60	CAJA CARBURADOR	AIR INTAKE SUPPORT	1
61	G5820B-2-61	JUNTA TERMICA	BACKING BOART	1
62	G5820B-2-62	JUNTA CARBURADOR	SEALING PLATE	1
63	G5820B-2-63	SEPARADOR	AIR INTAKE FLANGE	1
64	G5820B-2-64	CARBURADOR	CARBURETOR	1
65	G5820B-2-65	CAJA FILTRO	AIR INTAKE SOCKET	1
66	G5820B-2-66	FILTRO AIRE	AIR FILTER	1
67	G5820B-2-67	ESPARRAGO FILTRO	DOUBLE-SCREW BOLT	1
68	G5820B-2-68	TOPE	CUSHION	1

FIG. 2 MONTANA 920 V19				
Nº	Nº Ref.	Descripción	English name	Uds.
69	G5820B-2-69	TORNILLO CARBURADOR	NUT M5X50	2
70	G5820B-2-70	SEMI CARTER DERECHO	RIGHT CASE BODY	1
71	G5820B-2-71	LENGÜETA	DUST PLATE	1
72	G5820B-2-72	PASADOR GUIA	PIN 5X10	3
73	G5820B-2-73	AMORTIGUADOR	SHOE BLOCK	2
74	G5820B-2-74	SOPORTE INTERRUPTOR	GROUND SRIP	1
75	G5820B-2-75	INTERRUPTOR	FLAMEOUT SWITCH	1
76	G5820B-2-76	FIJADOR INTERRUPTOR	FLAMEOUT SWITCH SPROKET	1
77	G5820B-2-77	AMORTIGUADOR IZQUIERDO	LEFT SHOCK BLOCK	1
78	G5820B-2-78	TORNILLO M5X25	SCREW M5X25	4
79	G5820B-2-79	TAPA RETEN	OIL SEAL DAMPER	1
80	G5820B-2-80	ARANDELA	WASHER 4	2
81	G5820B-2-81	ARANDELA	WASHER 4	2
82	G5820B-2-82	TORNILLO M4X10	SCREW M4X10	2
83	G5820B-2-83	VOLANTE MAGNETICO	FLYWHEEL	1
84	G5820B-2-84	ARANDELA	WASHER 8	1
85	G5820B-2-85	TUERCA VOLANTE	NUT M8X1	1
86	G5820B-2-86	JUNTA TAPON ACEITE	PACKING WASHING	1
87	G5820B-2-87	FIJADOR TAPON	ANTI-DROP PLATE	1
88	G5820B-2-88	TAPON ACEITE	OIL COVER	1
89	G5820B-2-89	CLIP	SUCTION TUBE CIRCLIP	1
90	G5820B-2-90	TUBO	SUCTION TUBE	1
91	G5820B-2-91	CONECTOR	SUCTION JET	1
92	G5820B-2-92	SEMI CARTER IZQUIERDO	LEFT CASE BODY	1
93	G5820B-2-93	FRENILLO BANCADA	RING	1
94	G5820B-2-94	RETEN 15X35X4,5	OIL SEAL 15X35X4.5	1
95	G5820B-2-95	ELECTRONICO	IGNITER	1
96	G5820B-2-96	CABLE	FLAMEOUT CABLE	1
97	G5820B-2-97	TAPA SILENTBLOCK	DUST COVER	1
98	G5820B-2-98	JUNTA CARTER	SEALING PLATE	1
99	G5820B-2-99	CHAPA ESPADA	DAMPER	1
100	G5820B-2-100	ARANDELA	WASHER	1
101	G5820B-2-101	PALOMILLA	NUT	1