



MARCA



MODELO

SHAKER 310 DPG V17

Categoría producto: VAREADOR

Grupo producto: GASOLINA

Potencia: 25,4 cc

Versión: V17

Máquina: 2017

Publicación: 10-17

FIG 1

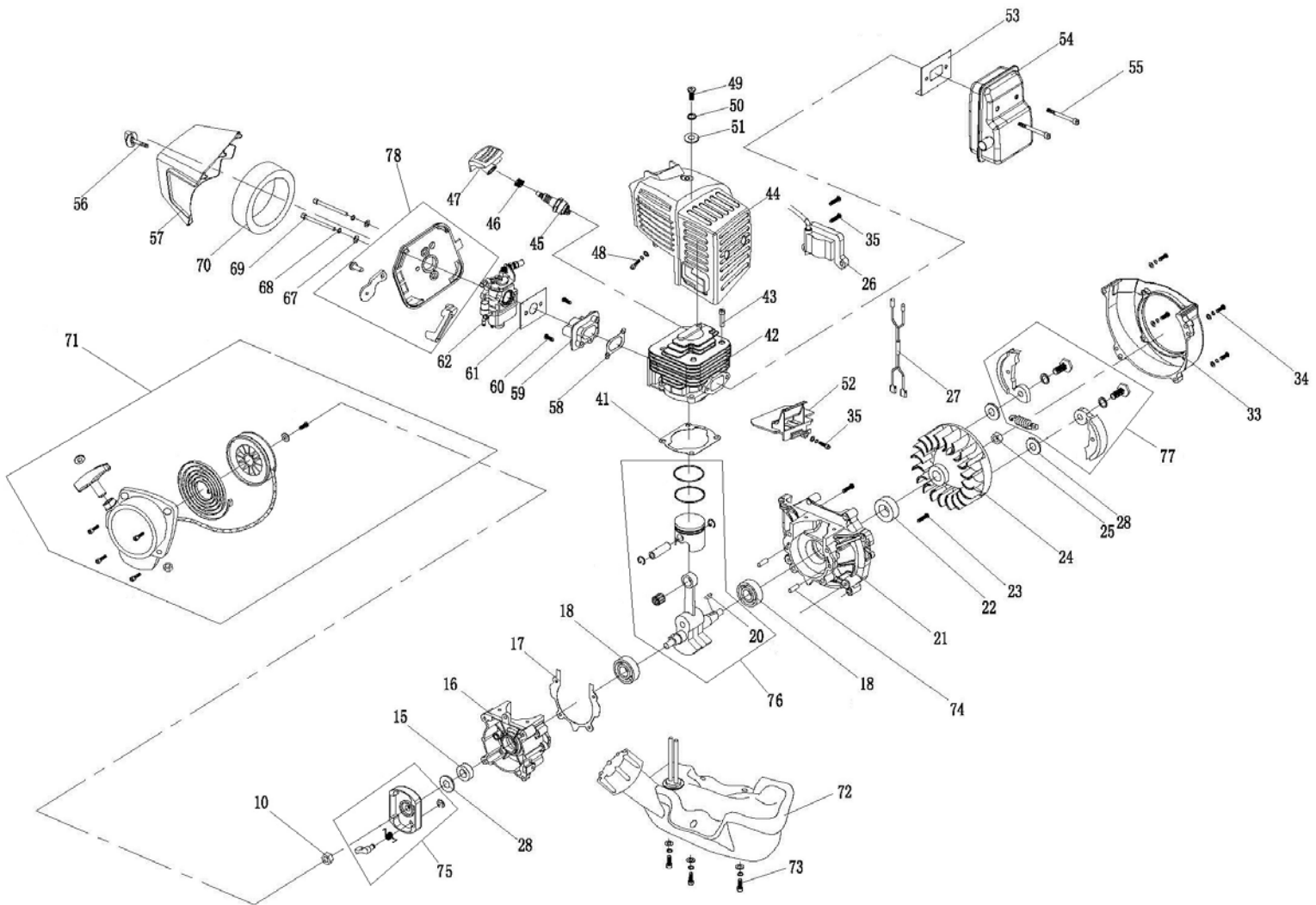


FIG. 1 SHAKER 310 DPG V17

Nº	Nº Ref.	Descripción	English name	Uds.
10	GBC267-F1-10	TUERCA M8	NUT M8	1
15	GBC267-F1-15	JUNTA 12X22X7	OIL SEAL 12X22X7	1
16	GBC267-F1-16	SEMI CARTER DERECHO	RIGHT CRANKCASE	1
17	GBC267-F1-17	JUNTA	SEALING GASKET	1
18	GBC267-F1-18	COJINETE	BEARING	2
20	GBC267-F1-20	CHAVETA	KEY	1
21	GBC267-F1-21	SEMI CARTER IZQUIERDO	LEFT CRANKCASE	1
22	GBC267-F1-22	JUNTA 15X30X7	OIL SEAL 15X30X7	1
23	GBC267-F1-23	TORNILLO M5X30	SCREW M5X30	2
24	GBC267-F1-24	VOLANTE MAGNETICO	FLYWHEEL	1
25	GBC267-F1-25	TUERCA M8	NUT M8	1
26	GBC267-F1-26	ELECTRONICO	COIL ASSY.	1
27	GBC267-F1-27	CABLE	FLAMEOUT CORD	1
28	GBC267-F1-28	SEPARADOR CAJA PERRILLOS	WASHER	2
33	GBC267-F1-33	TAPA VOLANTE	SIDE COVER	1
34	GBC267-F1-34	TORNILLO M5X20	SCREW M5X20	4
35	GBC267-F1-35	TORNILLO M4X16	SCREW M4X16	2
41	GBC267-F1-41	JUNTA CILINDRO	CLIP RING	2
42	GBC267-F1-42	CILINDRO	CYLINDER BLOCK	1
43	GBC267-F1-43	TORNILLO M5X20	SCREW M5X20	1
44	GBC267-F1-44	CARCASA PRINCIPAL	COVER	2
45	7199240010	BUJIA	SPARK PLUG	1
46	GBC267-F1-46	CONECTOR BUJIA	SPARK PLUG	1
47	GBC267-F1-47	PIPA BUJIA	SPARK PLUG PIPE	1
48	GBC267-F1-48	TORNILLO M5X16	SCREW M5X16	1
49	GBC267-F1-49	TORNILLO M4X16	SCREW M4X16	1
50	GBC267-F1-50	ARANDELA	WASHER	1
51	GBC267-F1-51	ARANDELA	WASHER	1
52	GBC267-F1-52	DEFLECTOR TERMICO	BAFFLE	1
53	GBC267-F1-53	JUNTA ESCAPE	SEALING GASKET	1
54	GBC267-F1-54	SILENCIADOR ESCAPE	MUFFLER ASSY.	1
55	GBC267-F1-55	TORNILLO M5X50	SCREW M5X50	1

FIG. 1 SHAKER 310 DPG V17

Nº	Nº Ref.	Descripción	English name	Uds.
56	GBC267-F1-56	PALOMILLA TAPA FILTRO	LUCKING NUT	1
57	GBC267-F1-57	TAPA FILTRO AIRE	AIR FILTER COVER	1
58	GBC267-F1-58	JUNTA ADMISION	SEALING GASKET	1
59	GBC267-F1-59	CUELLO ADMISION	INTAKE TUBE	2
60	GBC267-F1-60	TORNILLO M5X25	SCREW M5X25	1
61	GBC267-F1-61	JUNTA CARBURADOR	SEALING GASKET	1
62	GBC267-F1-62	CARBURADOR	CARBURETOR	1
67	GBC267-F1-67	ARANDELA	WASHER	1
68	GBC267-F1-68	ARANDELA	WASHER	2
69	GBC267-F1-69	ESPARRAGO M5X55	BOLT M5X55	1
70	GBC267-F1-70	FILTRO	FILTER NET	1
71	GBC267-F1-71	ARANCADOR COMPLETO	STARTER ASSY.	1
72	GBC267-F1-72	DEPOSITO GASOLINA COMPLETO	FUEL TANK	1
73	GBC267-F1-73	TORNILLO M5X16	SCREW M5X16	1
74	GBC267-F1-74	BULON GUIA	PISTON PIN	1
75	GBC267-F1-75	KIT PERRILLO	PAWL KIT	2
76	GBC267-F1-76	KIT CIGÜEÑAL + PISTON	CRANKSHAFT KIT + PISTON	2
77	GBC267-F1-77	KIT EMBRAGUE	CLUTCH KIT	2
78	GBC267-F1-78	PLACA + PALANCA AIRE	PLATE + AIR LEVER	1

FIG 2

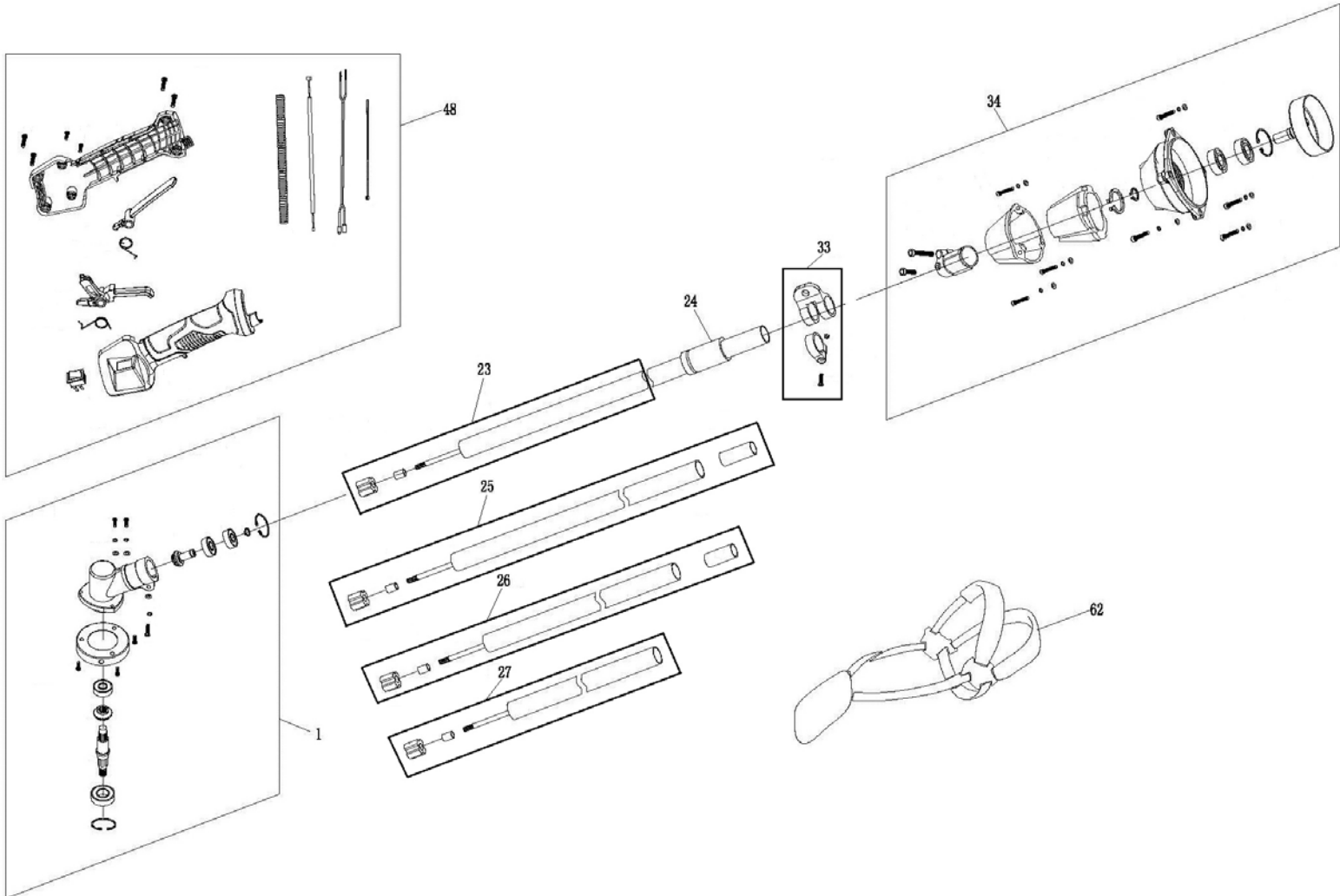


FIG. 2 SHAKER 310 DPG V17

Nº	Nº Ref.	Descripción	English name	Uds.
1	SHAKER310DPGV17-01	CABEZAL COMPLETO	GEAR CASE ASSY.	1
23	SHAKER310DPGV17-23	TUBO TRANSMISION	ALUMINIUM PIPE	1
24	SHAKER310DPGV17-24	PUÑO DESLIZANTE	ABSORBER SLEEVE	1
25	SHAKER310DPGV17-25	VARILLA	DRIVE SHAFT	1
26	SHAKER310DPGV17-26	VARILLA	DRIVE SHAFT	1
27	SHAKER310DPGV17-27	VARILLA	DRIVE SHAFT	1
33	SHAKER310DPGV17-33	ENGANCHE ARNES	HOLDER	1
34	SHAKER310DPGV17-34	KIT CARCASA + CAMPANA	CLUTCH ASSY	1
48	SHAKER310DPGV17-48	KIT PUÑO MANDO	HANDLE ASSY	1
62	SAHKER310DPGV17-62	ARNES	STRAP	1

FIG 3

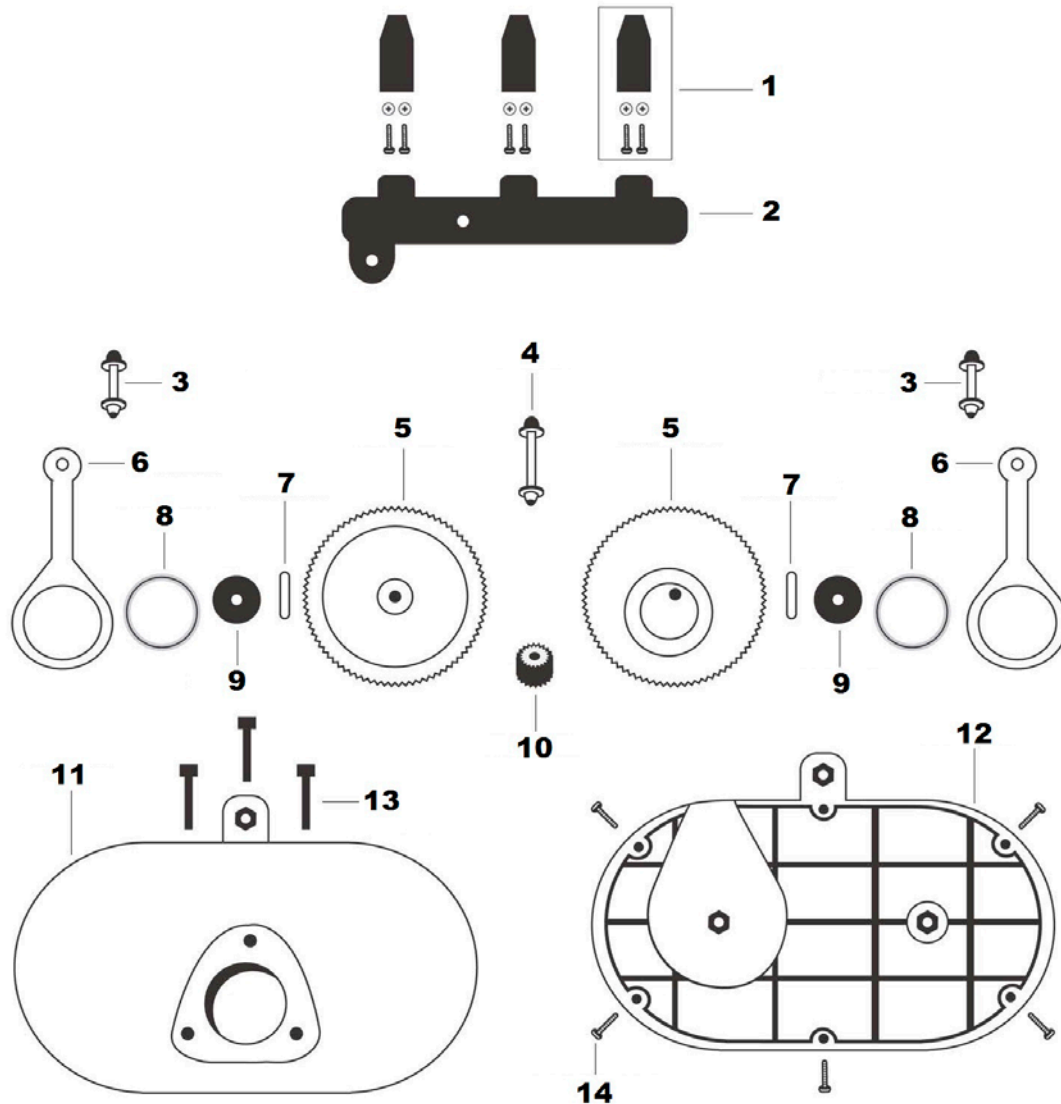


FIG. 3 SHAKER 310 DPG V17

Nº	Nº Ref.	Descripción	English name	Uds.
1	78250V0003	MORDAZA VARILLA	ROD JAWS	3
2	78250V0002	CUERPO PEINE	ROD SUPPORT	1
3	78250V0009	TORNILLO BULON CORTO	SHORT BOLT	2
4	78250V00010	TORNILLO BULON LARGO	LONG BOLT	1
5	78250V00015	CORONA LEVA	STRIATED WHEEL	2
6	78250V0004	BIELA	CONNECTING ROD	2
7	78250V0007	BULON PASADOR	PIN	2
8	78250V0005	COJINETE	SLEEVE	2
9	78250V0008	ARANDELA SEPARADOR	WASHER	2
10	78250V0006	PIÑON	SPROCKET	1
11	78250V0001	CARCASA INFERIOR	LOWER COVER	1
12	78250V00016	CARCASA CARTER	CRANKCASE CASING	1
13	78250V00014	TORNILLO	SCREW	3
14	78250V00011	TORNILLO CARTER	SCREW	5