



MARCA



MODELO

XTRIM 700 PE

Categoría producto: CORTABORDES

Grupo producto: ELECTRICO

Potencia: 1.000 W.

Versión: 1.0

Máquina: 2016

Publicación: 09-17

FIG 1

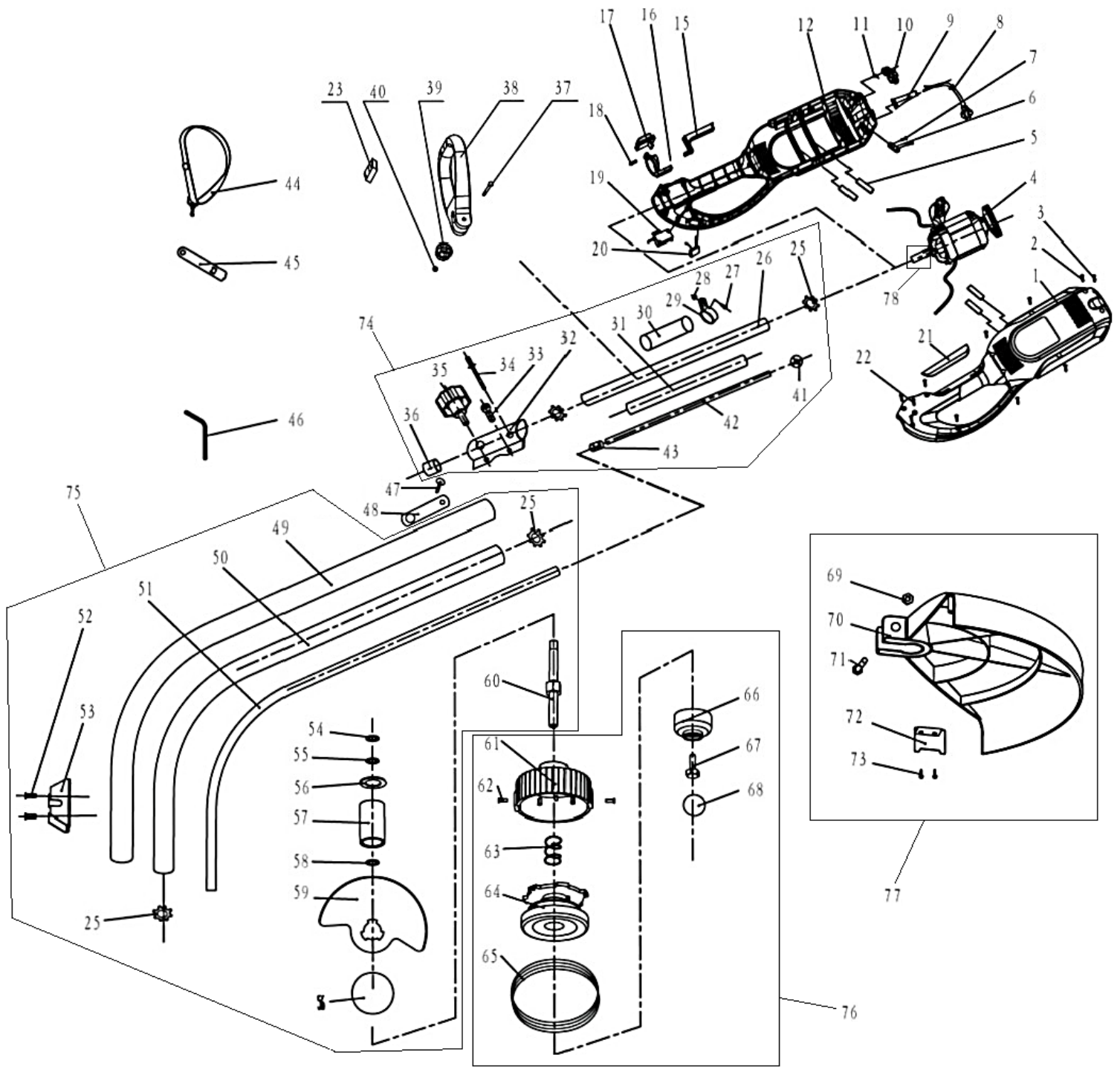


FIG. 1 XTRIM 700 PE				
Nº	Nº Ref.	Descripción	English name	Uds.
1	788006-691502-01	CARCASA MOTOR DERECHA	RIGHT CASING	1
2	788SJAB40-18B	TORNILLO	SCREW	10
3	788SJAB30-14B	TORNILLO	SCREW	1
4	788401-691502	MOTOR	ENGINE	1
5	788341-691101	PASADOR JUNTA	PIN	2
6	788184-302201	PRENSA CABLE	WIRE CLAMP	1
7	788SJAB40-14B	TORNILLO	SCREW	1
8	788422-691501	CABLE + CLAVIJA	CABLE + PLUG	1
9	788332-532401	MANGUITO CABLE	CABLE SHEATH	1
10	788343-691101	FIJA CABLE	CABLE FIXER	1
11	788342-691104	MUELLE FIJADOR	SPRING	1
12	788006-691501-01	TAPA MOTOR IZQUIERDA	LEFT COVER	1
15	788044-691501	GATILLO INTERRUPTOR	TRIGGER	1
16	788204-691501	TOPE	LIMIT	1
17	788312-691501	PULSADOR	PUSH BUTTON	1
18	788342-691501	MUELLE	SPRING	1
19	788042-522501	INTERRUPTOR	SWITCH	1
20	788416-691501	CONDENSADOR	CAPACITOR	1
21	788005-691501	TAPA ASIDERO	COVER HANDLE	1
22	788SJAB50-10B	TORNILLO	SCREW	1
23	788020-522201	TACO TAPA	COVER	1
25	788201-691101	FRENILLO	RETAINER	2
26	788061-691201	TUBO CAÑA SUPERIOR	UPPER TUBE	3
27	788SJGD05-08D	TORNILLO	SCREW	1
28	788NG-05B	TUERCA	NUT	1
29	789204-691502D	ANILLO	RING	1
30	788331-691502	CASQUILLO	SLEEVE	1
31	788061-691203	FUNDA INTERIOR SUPER.	INNER COVER	1
32	788440-691202-01	CONECTOR TUBOS	CONNECTING TUBES	1
33	788SACD06-12B	TORNILLO CONECTOR	SCREW	1
34	788RJ04-06D	REMACHE	RIVET	1
35	788313-691501	POMO CONECTOR	KNOB	1
36	788204-691201	CASQUILLO	SLEEVE	1
37	788SFDD06-65B	TORNILLO	SCREW	1
38	788003-522202	ASIDERO	HANDLE	1
39	788313-522201	POMO	KNOB	1
40	788NA-06B-1005	TUERCA	NUT	1
41	789325-903102	ARANDELA ESTRIAS	WASHER	1

FIG. 1 XTRIM 700 PE				
Nº	Nº Ref.	Descripción	English name	Uds.
42	789089-691506	EJE FLEXIBLE	SHAFT	1
43	788065-691201	CONECTOR	CONNECTOR	1
44	789442-903101	ARNES	HARNESS	1
45	789261-923101	SOPORTE	SUPPORT	1
46		LLAVE ALLEN	ALLEN WRENCH	1
47	788RE03-04N	REMACHE	RIVET	1
48	788324-691201	PLACA	PLATE	1
49	788061-691503	TUBO CAÑA INF.	LOWER TUBE	1
50	789061-691503	FUNDA EJE FLEXIBLE	SHAFT COVER	1
51	788089-691504	EJE FLEXIBLE	SHAFT	1
52	788SJGN05-10B	TORNILLO	SCREW	2
53	788291-691101	FIJADOR DEFENSA	FIXER	1
54	788CC-09B	FRENILLO	RETAINER	1
55	788WF-05B	ARANDELA	WASHER	1
56	788321-691502	ANILLO	RING	1
57	788334-691102	CASQUILLO	SLEEVE	1
58	788202-691101	ARANDELA	WASHER	1
59	788185-691102	TAPA PROTECTOR	GUARD COVER	1
60	788081-691501	EJE CABEZAL	SHAFT	1
61	788141-691101	CUERPO CABEZAL HILO	HEAD BODY	1
62	788212-691101	CASQUILLO HILO	SLEEVE	2
63	788342-691101	MUELLE CABEZAL HILO	SPRING	1
64	788440-691109	CARRETE CABEZAL HILO	SPOOL	1
65	ACCESORIOS	HILO	STRING	1
66	788331-691102	TUERCA CABEZAL	NUT	1
67	788206-691301	TORNILLO POMO	SCREW	1
68	788321-691101	TAPON	CAP	1
69	788NG-06B-1005	TUERCA	NUT	1
70	788186-691101	PROTECTOR HILO	GUARD	1
71	788SACD06-50B	TORNILLO	SCREW	1
72	788231-691101	CUCHILLA HILO	BLADE	1
73	788SJAB40-14B	TORNILLO	SCREW	2
74	788061-690003	TUBO SUPERIOR COMPLETO	UPPER TUBE COMPLETE	1
75	788061-690002	TUBO INFERIOR COMPLETO	LOWER TUBE COMPLETE	1
76	789440-923112	KIT CARRETE HILO	THREAD SPOOL KIT	1
77	788186-691101	PROTECTOR HILO	THREAD GUARD	1
78	788061-690004	CONECTOR MOTOR	ENGINE CONNECTOR	1