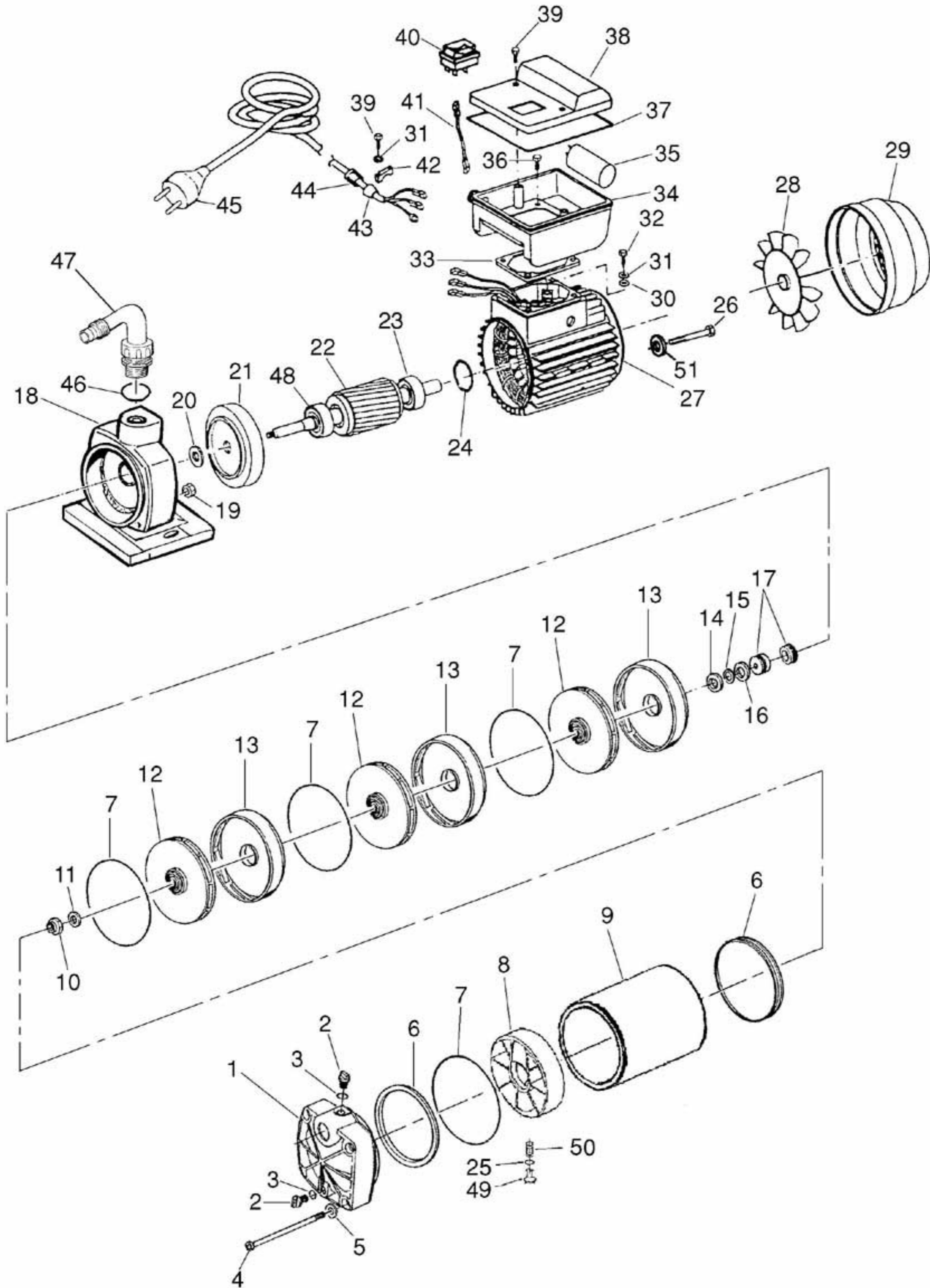


MULTI X3



MULTI X3

| Model | Ref. | Art. Leader | Descrizione | Description | Description |
|---------------------|------|-------------|--------------------------------------|-----------------------|--------------------------|
| CA163001 - MULTI X3 | 1 | S3500280 | Flangia aspirazione MC 1" GAS | Flange 1" GAS | Flasque 1" GAS |
| CA163001 - MULTI X3 | 2 | S3500009 | Tappo filettato 3/8" GAS | Screw 3/8" GAS | Bouchon 3/8" GAS |
| CA163001 - MULTI X3 | 3 | P1200004 | Guarnizione O.Ring | Joint O.Ring | Joint torique |
| CA163001 - MULTI X3 | 4 | P1100041 | Vite | Screw | Vis |
| CA163001 - MULTI X3 | 5 | P1120021 | Rosetta | Washer | Rondelle |
| CA163001 - MULTI X3 | 6 | P1240009 | Guarnizione "Elle" | Joint | Joint |
| CA163001 - MULTI X3 | 7 | P1200014 | Guarnizione O.Ring | Joint O.Ring | Joint torique |
| CA163001 - MULTI X3 | 8 | S3500403 | Controflangia | Counterflange | |
| CA163001 - MULTI X3 | 9 | P1600016 | Camicia inox | Jacket inox | Chemise inox |
| CA163001 - MULTI X3 | 10 | P1110009 | Dado | Nut | Ecrou |
| CA163001 - MULTI X3 | 11 | P1120014 | Rosetta | Washer | Rondelle |
| CA163001 - MULTI X3 | 12 | S3250027 | Girante | Impeller | Roue |
| CA163001 - MULTI X3 | 13 | S3250006 | Diffusore | Diffuser | Diffuseur |
| CA163001 - MULTI X3 | 14 | P1120028 | Rosetta | Washer | Rondelle |
| CA163001 - MULTI X3 | 15 | P1120022 | Anello seeger | Ring seeger | Anneau seeger |
| CA163001 - MULTI X3 | 16 | P1120027 | Rosetta | Washer | Rondelle |
| CA163001 - MULTI X3 | 17 | P1220003 | Gruppo tenuta meccanica | Mechanical seal | Etanchéité mécanique |
| CA163001 - MULTI X3 | 18 | S3600121 | Corpo pompa | Pump housing | Corps de pompe |
| CA163001 - MULTI X3 | 19 | P1110013 | Dado | Nut | Ecrou |
| CA163001 - MULTI X3 | 20 | P1240014 | Guarnizione paraspruzzi | Joint | Joint |
| CA163001 - MULTI X3 | 21 | S3120006 | Flangia | Flange | Flasque |
| CA163001 - MULTI X3 | 22 | S3101013 | Albero rotore completo di cuscinetti | Shaft with bearings | Arbre avec roulements |
| CA163001 - MULTI X3 | 23 | P1180006 | Cuscinetto | Bearing | Roulement |
| CA163001 - MULTI X3 | 24 | P1120002 | Anello onda | Waved ring | Anneau ondulé |
| CA163001 - MULTI X3 | 25 | P1200039 | Guarnizione O.Ring | Joint O.Ring | Joint torique |
| CA163001 - MULTI X3 | 26 | P1100054 | Vite | Screw | Vis |
| CA163001 - MULTI X3 | 27 | S3410168 | Statore completo | Stator | Stator complét |
| CA163001 - MULTI X3 | 28 | P1510014 | Ventola raffreddamento Mec 63 | Fan Mec 63 | Ventilateur Mec 63 |
| CA163001 - MULTI X3 | 29 | P1510043 | Copriventola Mec 63 | Fan cover Mec 63 | Cache ventilateur Mec 63 |
| CA163001 - MULTI X3 | 30 | P1120051 | Rosetta | Washer | Rondelle |
| CA163001 - MULTI X3 | 31 | P1120003 | Rosetta elastica | Spring-washer | Rondelle élastique |
| CA163001 - MULTI X3 | 32 | P1100055 | Vite | Screw | Vis |
| CA163001 - MULTI X3 | 33 | S3500199 | Gasket basetta 63/71 | Gasket 63/71 | Gasket 63/71 |
| CA163001 - MULTI X3 | 34 | S3500221 | Base portacondensatore | Base capacitor holder | Base boîtier |
| CA163001 - MULTI X3 | 35 | P1360003 | Condensatore | Capacitor | Condensateur |
| CA163001 - MULTI X3 | 36 | P1100004 | Vite | Screw | Vis |
| CA163001 - MULTI X3 | 37 | P1200013 | Guarnizione O.Ring | Joint O.Ring | Joint torique |
| CA163001 - MULTI X3 | 38 | S3500223 | Coperchio portacondensatore | Cap capacitor holder | Couvercle boîtier |
| CA163001 - MULTI X3 | 39 | P1100006 | Vite | Screw | Vis |
| CA163001 - MULTI X3 | 40 | P1380044 | Interruttore non luminoso | Switch | Interrupteur |
| CA163001 - MULTI X3 | 41 | P1310001 | Cavetto blue | Cable blue | Câble bleu |
| CA163001 - MULTI X3 | 42 | P1510004 | Cricchetto serracavo | Cable fastener | Presse-câble |
| CA163001 - MULTI X3 | 43 | P1230001 | Gommino d9 | Joint d9 | Joint d9 |
| CA163001 - MULTI X3 | 44 | P1510009 | Dado | Nut | Ecrou |
| CA163001 - MULTI X3 | 45 | P1330064 | Cavo di alimentazione | Cable | Câble |
| CA163001 - MULTI X3 | 46 | P1200002 | Guarnizione O.Ring | Joint O.Ring | Joint torique |
| CA163001 - MULTI X3 | 47 | S3600056 | Raccordo curvo | Elbow | Embout |
| CA163001 - MULTI X3 | 48 | P1180007 | Cuscinetto | Bearing | Roulement |
| CA163001 - MULTI X3 | 49 | S3500402 | Otturatore | Obturator | |
| CA163001 - MULTI X3 | 50 | P1130006 | Molla | Spring | Ressort |
| CA163001 - MULTI X3 | 51 | P1120030 | Rosetta | Washer | Rondelle |