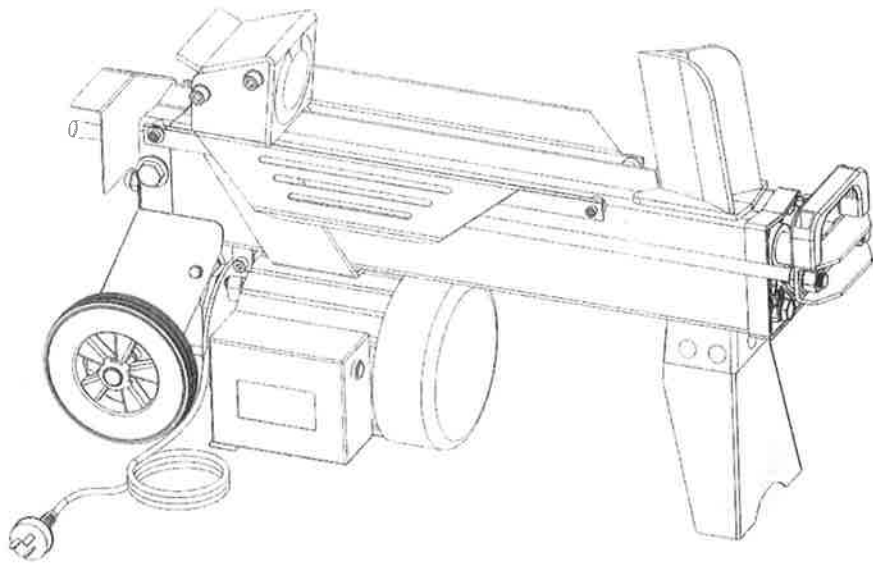


IRONSIDE®

GARDEN

500153



GB LOG SPLITTER
E ASTILLADORA ELÉCTRICA



Please read this instruction manual carefully before using the tool

SAFETY WARNINGS & CAUTIONS

SAFETY WARNINGS & INSTRUCTIONS

SYMBOL AFFIXED TO THE
MACHINE

• UNDERSTAND YOUR LOG SPLITTER

Read and understand the owner's manual and labels affixed to the log splitter. Learn its application and limitations as well as the specific potential hazards peculiar to it.



• DRUGS, ALCOHOL AND MEDICATION

Do not operate the log splitter while under the influence of drugs, alcohol, or any medication that could affect your ability to use it properly.

• AVOID DANGEROUS CONDITIONS

Put the log splitter on a 60 - 75cm high, stable, flat, and level work bench where there is plenty of room for handling, and help the operator stay alert. Bolt the log splitter to the work surface if it tends to slip, walk, or slide.

Keep your work area clean and well lighted. Cluttered areas invites injuries.

Do not use the log splitter in wet or damp areas or expose it to rain. Do not use it in areas where fumes from paint, solvents or flammable liquids pose a potential hazard.

•INSPECT YOUR LOG SPLITTER

Check your log splitter before turning it on. Keep guards in place and in working order. Form a habit of checking to see that keys and adjusting wrenches are removed from tool area before turning it on. Replace damaged, missing or failed parts before using it.



• DRESS PROPERLY

Do not wear loose clothing, gloves, neckties or jewelry (rings, wrist watches). They can be caught in moving parts.

Protective electrically gloves and non-skid footwear are recommended when working. Wear protective hair covering to contain long hair, preventing it from get caught in machinery.



• PROTECT YOUR EYES AND FACE

Any log splitter may throw foreign objects into the eyes. This can cause permanent eye damage. Always wear safety goggles.

Everyday eyeglasses have only impact resistant lenses. They are not safety glasses.



Do not put the log splitter on the ground for operations. This is awkward operating position that the operator has to bring his face close to the machine, and thus risks being struck by wood chips or debris.

• EXTENSION CORDS

Improper use of extension cords may cause inefficient operation of the log splitter which can result in overheating. Be sure the extension cord is no longer than 10m and its section is no less than 2.5mm²

to allow sufficient current flow to the motor.

Avoid use of free and inadequately insulated connections.

Connections must be made with protected material suitable for outdoor use.

• AVOID ELECTRICAL SHOCK

Check that the electric circuit is adequately protected and that it corresponds with the power, voltage and frequency of the motor.

Check that there is a ground connection, and a regulation differential switch upstream.

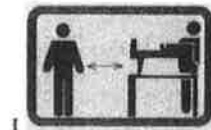
Ground the log splitter. Prevent body contact with grounded surfaces: pipes, radiators, ranges, and refrigerator enclosures.

Never open the pushbutton box on the motor. Should this be necessary, contact a qualified electrician.

Make sure your fingers do not touch the plug's metal prongs when plugging or unplugging the log splitter.

• KEEP VISITORS AND CHILDREN AWAY

The log splitter must be always operated by one person only. Other people should keep a safe distance from the work area, especially when the log splitter is under operations. Never use another people to help you with freeing jammed log.



• INSPECT YOUR LOG

Make sure there are no nails or foreign objects in logs to be split.

The ends of the logs must be cut square. Branches must be cut of flush with the trunk.

• DON'T OVERREACH

Floor must not be slippery.

Keep proper footing and balance at all times.

Never stand on log splitter. Serious injury could occur if the tool is tipped or if the cutting tools is unintentionally contacted. Do not store anything above or near the log splitter where anyone might stand on the tool to reach them.

• AVOID INJURY FROM UNEXPECTED ACCIDENT

Always pay full attention to the movement of the log pusher.

Do not attempt to load the log on until the log pusher has stopped.

Keep hands out of the way of all moving parts.



• PROTECT YOUR HANDS

Keep your hands away from splits and cracks which open in the log; They may close suddenly and crush or amputate your hands. Do not remove jammed logs with your hands.



• DON'T FORCE TOOL

It will do a better and safer job at its design rate. Never try to split logs larger than those indicated in the specifications table. This could be dangerous and may damage the machine. Don't use log splitter for a purpose for which it was not intended.

• NEVER LEAVE TOOL RUNNING UNATTENDED

Don't leave tool until it has come to a complete stop.

• DISCONNECT POWER

Unplug when not in use, before making adjustments, changing parts, cleaning, or working on the log splitter; Consult technical manual before servicing.



• PROTECT THE ENVIRONMENT

Take used oil to an authorized collection point or follow the stipulations in the country where the log splitter is used. Do not discharge into drains, soil or water.



• MAINTAIN YOUR LOG SPLITTER WITH CARE

Keep the log splitter clean for best and safest performance.

• MAKE THE WORKSHOP CHILDPROOF

Lock the workshop. Disconnect master switches. Store the log splitter away from children and others not qualified to use it.

TABLE OF CONTENTS

Safety Warnings & Cautions 2

Application Conditions5

Specifications5

Electrical Requirements5

Set up and Preparation for Operation6

Wiring Diagram.....7

Plumbing Diagram.....7

Log Splitter Operation.....8

Freeing a Jammed Log9

Replacing Hydraulic Oil..... 10

Sharpening Wedge 10

Trouble Shooting..... 11

Parts Schematic..... 12

APPLICATION CONDITIONS

This log splitter is a home use model. It is designed for operating under ambient temperatures between +5°C and 40°C and for installation at altitudes no more than 1000m above M.S.L. The surrounding humidity should be less than 50% at 40°C. It can be stored or transported under ambient temperatures between -25°C and 55°C.

SPECIFICATIONS

Model Number	500153 (65558-7)	
Motor	230V – 50Hz 2300W IP54	
	Diameter *	5 – 25 cm
	Length	52 cm
Splitting force	7 t	
Hydraulic pressure	24 Mpa	
Hydraulic oil capacity	3.5 L	
Overall size	Length	940 mm
	Width	270 mm
	Height	510 mm
Weight	45 kg	

* The diameter of the log is indicative. A small log can be difficult to split when it has knobs or a particularly tough fiber. On the other hand, it may not be difficult to split logs with regular fibers even if the diameter exceeds the max. figure indicated above.

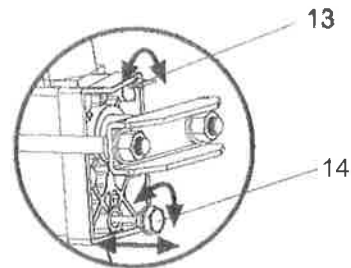
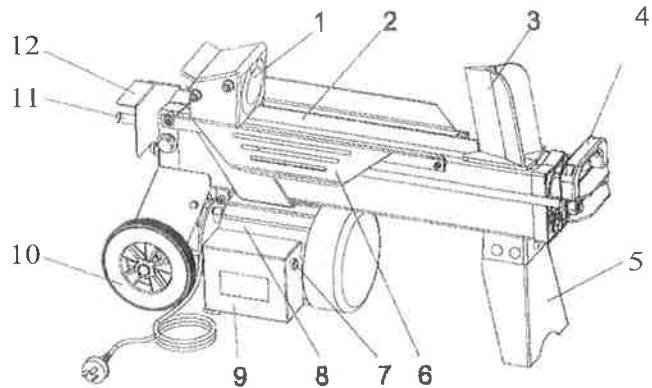
ELECTRICAL REQUIREMENTS

Connect the main leads to a standard 230V – 50Hz electrical supply which has protection devices of under-voltage, over voltage, over-current as well as residual current device (RCD) which maximum residual current rated at 0.03A

SET UP AND PREPARATION FOR OPERATION

1. Bolt the Support Leg to the Log Splitter, lift the log splitter by the handles at both ends and place it on a 60 - 75cm high, stable, flat and level work surface.
2. Familiarize yourself with the controls and features of this log splitter in the illustrations.

1. Log pusher
2. Work table
3. Wedge
4. Lift handle
5. Support leg
6. Log retaining plates
7. Switch
8. Motor
9. Pushbutton box
10. Wheels for minor moving ONLY.
11. Hydraulic control lever
12. Control lever guard
13. Bleed screw
14. Oil drain bolt with dipstick



Before operating the log splitter, the Bleed Screw should be loosened by some rotations until air can go in and out of the oil tank smoothly. Air flow through the Bleed Screw hole should be detectable during the log splitter is under operations. Before moving the log splitter, make sure the Bleed Screw is tightened to avoid oil leaking from this point.



FAILED TO LOOSEN THE BLEED SCREW WILL KEEP THE SEALED AIR IN HYDRAULIC SYSTEM BEING COMPRESSED AFTER BEING DECOMPRESSED. SUCH CONTINUOUS AIR COMPRESSION AND DECOMPRESSION WILL BLOW OUT THE SEALS OF THE HYDRAULIC SYSTEM AND CAUSE PERMANT DAMAGE TO THE LOG SPLITTER.

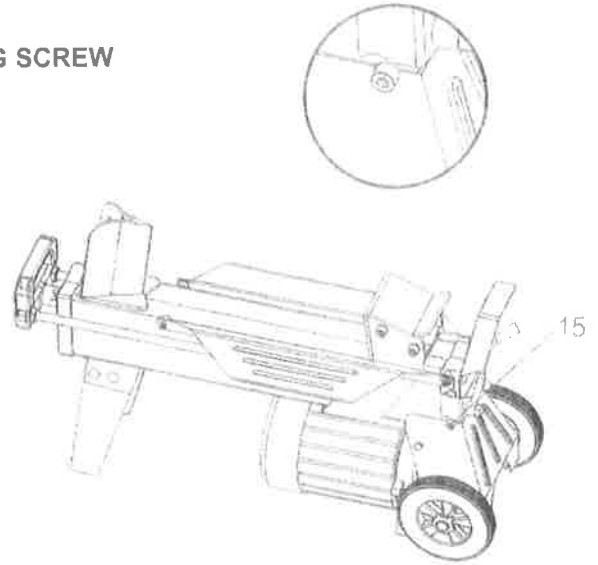
15. Max pressure limiting screw

DO NOT ADJUST THE MAX PRESSURE LIMITING SCREW

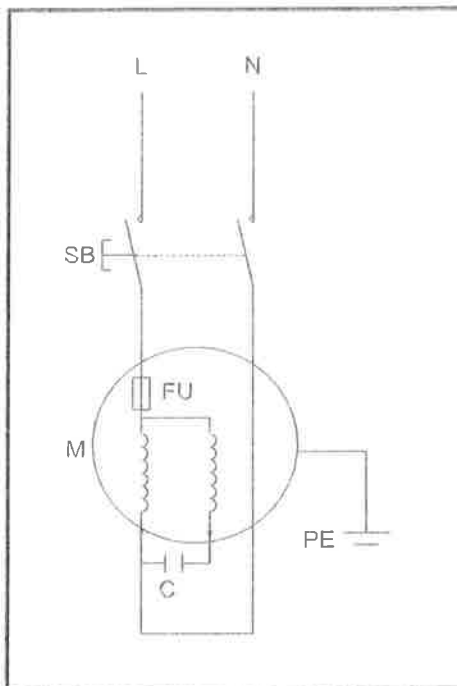
Max pressure was set at the factory and the max pressure limiting screw is sealed with glue to ensure the log splitter works under maximum pressure 7 tons.

The setting was done by qualified mechanic with professional instruments

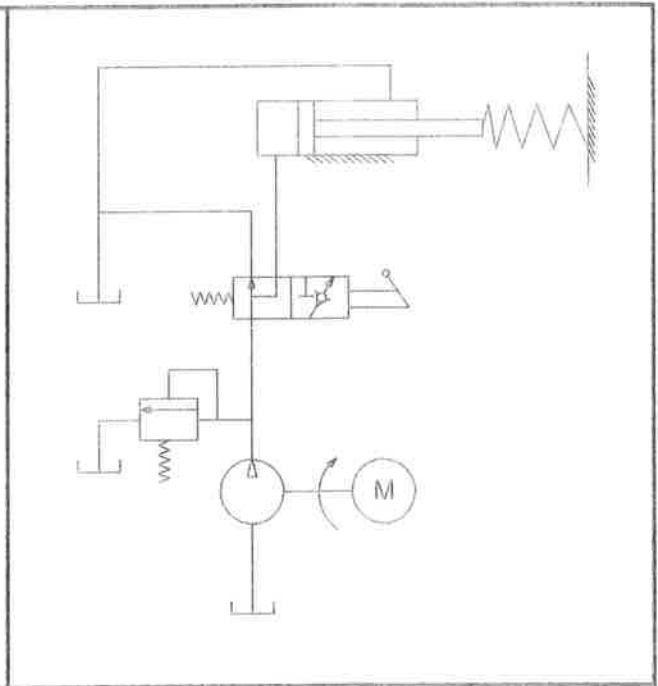
Unauthorized resetting will cause the hydraulic pump fail to output enough splitting pressure or **RESULT IN SERIOUS INJURY AS WELL AS DAMAGE TO THE MACHINE.**



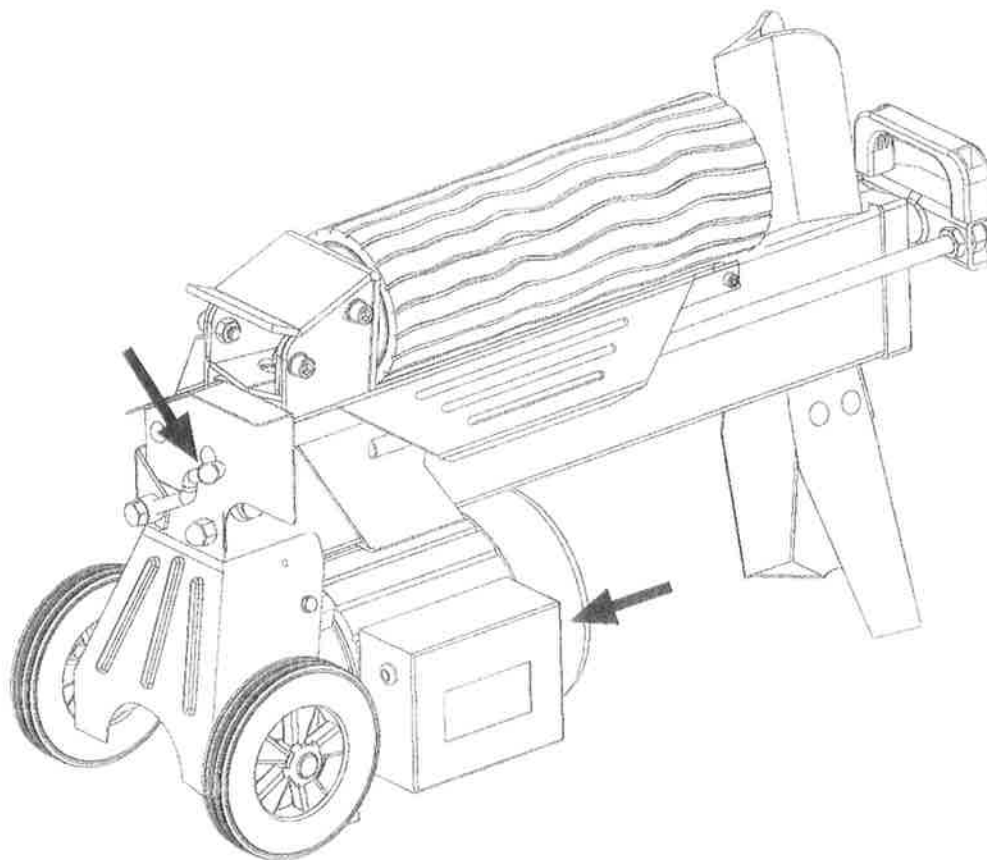
WIRING DIAGRAM



OIL DIAGRAM



LOG SPLITTER OPERATION



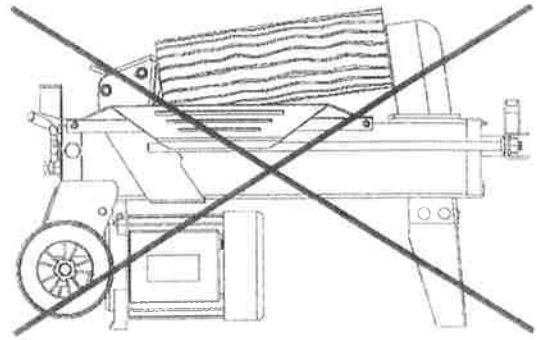
This log splitter is equipped with "ZHB" control system that requires to be operated by both hands of the user - Left hand controls the hydraulic control lever while right hand controls the pushbutton switch. The log splitter will freeze upon absence of either hand. Only after both hands release the controls, the log pusher starts to return backward to the starting position.

Trigger type lock-out device is adopted to avoid accidental Hydraulic Control Lever pushdown. To operate the Hydraulic Control Lever, draw the Trigger backward with the index finger before push the Hydraulic Control Lever forward.

Never force the log splitter for more than 5 seconds by keeping pressure on it to split excessively hard wood.

After this time interval, the oil under pressure will be overheated and the machine could be damaged. For such extremely hard log, rotate it by 90° to see whether it can be split in a different direction. In any case, if you are not able to split the log, this means that its hardness exceeds the capacity of the machine and thus that log should be discarded to protect the log splitter.

Always set logs firmly on the log retaining plates and work table. Make sure logs will not twist, rock or slip while being split. Do not force the blade by splitting the log on the upper part. This will break the blade or damage the machine.

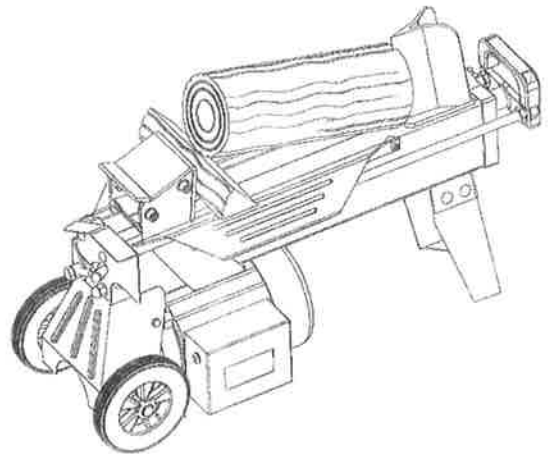


Break log in the direction of its growing grain. Do not place log across the log splitter for splitting. It may be dangerous and may seriously damage the machine.

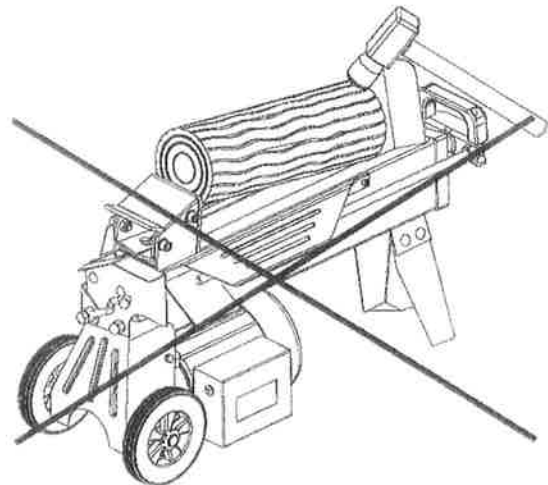
Do not attempt to split 2 pieces of logs at the same time. One of them may fly up and hit you.

FREEING A JAMMED LOG

- Release both controls.
- After the log pusher moves back and completely stops at its starting position, insert a wedge wood under the jammed log.
- Start the log splitter to push the wedge wood to go completely under the jammed one.
- Repeat above procedure with sharper slope wedge woods until the log is completely freed.



Do not try to knock the jammed log off. Knocking about will damage the machine or may launch the log and cause accident.



REPLACING HYDRAULIC OIL

Replace the Hydraulic oil in the log splitter after every 150 hours of use. Take following steps to replace it.

- Make sure all moving parts stops and the log splitter is unplugged.
- Unscrew Oil Drain Bolt with Dipstick to remove it.
- Turn the log splitter on the Support Leg side over a 4 liters capacity container to drain the hydraulic oil off.
- Turn the log splitter on the motor side.
- Refill fresh hydraulic oil at the volume as per the hydraulic oil capacity of a particular model indicated in above specifications table.
- Clean the surface of Dipstick on the Oil Drain Bolt and put it back into the oil tank while keep the log splitter vertically.
- Make sure the level of the refilled oil is just between 2 grooves around the Dipstick.
- Clean the Oil Drain Bolt before thread them back. Make sure they are tightened to avoid leakage before place the log splitter horizontally.

Periodically check oil level to ensure it is between 2 grooves around the Dipstick. Upon Lower oil level, oil refilling is required.

Following hydraulic oils or equivalent are recommend for the log splitter's hydraulic transmission system:

SHELL Tellus 22

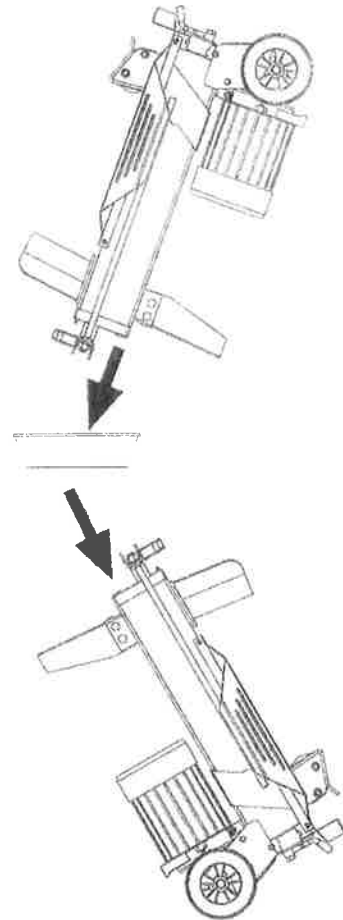
MOBIL DTE 11

ARAL Vitam GF 22

BP Energol HLP-HM 22

SHARPENING WEDGE

After using the log splitters for some time, sharpen the wedge of the log splitter using a fine-toothed file and smooth any burrs or crushed area along the cutting edge.



TROUBLE SHOOTING

PROBLEM	PROBABLE CAUSE	REMEDY SUGGESTED
Fails to split logs	Log is improperly positioned	Refer to " Log Splitter Operation" section for perfect log loading.
	The sizes or hardness of the log exceeds the capacity of the machine	Reduce the log sizes before splitting it on the log splitter
	Wedge cutting edge is blunt	Refer to " Sharpening Wedge " section to sharpen the cutting edge.
	Oil leaks	Locate leak(s) and contact the dealer
	Unauthorized adjustment was made on Max. Pressure Limiting Screw. Lower max pressure rating was set.	Contact the dealer.
The log pusher moves jerkily, taking unfamiliar noise or vibrating a lot	Lack of hydraulic oil and excessive air in the hydraulic system.	Check oil level for possible oil refilling. Contact the dealer.
Oil leaks around cylinder ram or from other points.	Air sealed in hydraulic system while operating.	Loosen Bleed Screw by 3-4 rotations before operating the log splitter
	Bleed Screw is not tightened before moving the log splitter.	Tighten the Bleed Screw up before moving the log splitter.
	Oil drain bolt with dipstick is not tight.	Tighten the Oil Drain bolt with dipstick.
	Hydraulic Control Valve Assembly and / or seal(s)	Contact the dealer

ADVERTENCIAS Y PRECAUCIONES DE SEGURIDAD

ADVERTENCIAS E INSTRUCCIONES DE SEGURIDAD

SÍMBOLO ADHERIDO A LA
MÁQUINA

• COMPRENDA SU DIVISOR DE TRONCOS

Lea y comprenda el manual del propietario y las etiquetas colocadas en el divisor de troncos. Aprenda su aplicación y limitaciones así como los riesgos potenciales específicos particulares al mismo.

• DROGAS, ALCOHOL Y MEDICAMENTO

No opere el divisor de troncos bajo la influencia de drogas, alcohol o cualquier medicamento que pudiera afectar su capacidad de utilizarlo adecuadamente.

• EVITE CONDICIONES PELIGROSAS

Ponga el divisor de troncos en un banco de trabajo de 60 - 75 cm de altura, estable, plano y nivelado donde haya suficiente espacio para la manipulación, y ayude al operador a permanecer alerta. Atornille el divisor de troncos a la superficie de trabajo si tiende a resbalar, caminar o deslizarse.

Mantenga su área de trabajo limpia y bien iluminada. Las áreas abarrotadas invitan a las lesiones.

No utilice el divisor de troncos en áreas mojadas o húmedas o lo exponga a la lluvia. No lo utilice en áreas donde los gases de pintura, solventes o líquidos inflamables planteen un riesgo potencial.

• INSPECCIONE SU DIVISOR DE TRONCOS

Verifique su divisor de troncos antes de encenderlo. Mantenga los protectores en su lugar y en estado de funcionamiento. Fórmese el hábito de verificar para ver que las llaves y llaves de tuercas de ajuste se retiren del área de la herramienta antes de encenderla. Sustituya las piezas dañadas, faltantes o defectuosas antes de utilizarla.

• VISTA ADECUADAMENTE

No use ropa suelta, guantes, corbatas o joyería (anillos, relojes de pulsera). Pueden quedar atrapados en las piezas móviles.

Al trabajar, se recomienda el uso de guantes eléctricamente protectores y calzado antideslizante. Use una cubierta protectora del cabello para contener el cabello largo, evitando que la maquinaria lo atrape.

• PROTEJA SUS OJOS Y CARA

Cualquier divisor de troncos podría lanzar objetos extraños en los ojos. Esto puede ocasionar daño permanente a los ojos. Use siempre gafas de seguridad. Los anteojos cotidianos sólo tienen lentes resistentes a los impactos. No son gafas de seguridad.

No ponga el divisor de troncos en el suelo para las operaciones. Ésta es una posición de operación incómoda en la que el operador tiene que llevar su cara cerca de la máquina y así corre el riesgo de ser golpeado por astillas o partículas.



• CABLES DE EXTENSIÓN

El uso inadecuado de cables de extensión podría ocasionar la operación ineficiente del divisor de troncos lo que podría resultar en un sobrecalentamiento. Cerciórese de que el cable de extensión no tenga más de 10 m de largo y su sección no sea menor que 2.5 mm² para permitir el flujo de corriente suficiente al motor.

Evite el uso de conexiones libre e inadecuadamente aisladas. Las conexiones deben hacerse con material protegido adecuado para uso en exteriores.

• EVITE LA DESCARGA ELÉCTRICA

Verifique que el circuito eléctrico está protegido adecuadamente y que corresponde con la potencia, tensión y frecuencia del motor. Verifique que haya una conexión a tierra y un interruptor diferencial de regulación aguas arriba. Conecte a tierra el divisor de troncos. Evite el contacto del cuerpo con superficies conectadas a tierra: tuberías, radiadores, estufas y cubiertas de refrigerador.

Nunca abra la caja del pulsador en el motor. Si esto fuera necesario, contacte con un electricista calificado.

Cerciórese de que sus dedos no toquen las clavijas de metal del conector al enchufar o desenchufar el divisor de troncos.

• MANTENGA APARTADOS A VISITANTES Y NIÑOS

Una sola persona debe operar siempre el divisor de troncos. Las demás personas deben mantenerse a una distancia segura del área de trabajo, especialmente cuando el divisor de troncos está en operación. Nunca use otra persona para ayudarle a liberar un tronco atorado.



• INSPECCIONE SU TRONCO

Cerciórese de que no haya clavos u objetos extraños en los troncos a dividir. Los extremos de los troncos deben estar cortados a escuadra. Las ramas se deben cortar al ras con el tronco.

• NO ADOpte UNA POSTURA FORZADA

El suelo no debe estar resbaloso.

Mantenga una postura adecuada y el equilibrio en todo momento.

Nunca se pare sobre el divisor de troncos. Podría ocurrir una lesión grave si la herramienta se inclina o si las herramientas de corte se contactan involuntariamente. No guarde nada arriba o cerca del divisor de troncos donde alguien podría pararse en la herramienta para alcanzar los objetos.

• EVITE LAS LESIONES DE UN ACCIDENTE INESPERADO

Preste siempre total atención al movimiento del empujador de troncos.

No intente cargar el tronco hasta que el empujador de troncos se haya detenido. Mantenga las manos fuera de la dirección de todas las piezas móviles.



• PROTEJA SUS MANOS

Mantenga sus manos lejos de separaciones y grietas que se abren en el tronco; éstas podrían cerrarse repentinamente y aplastar o amputar sus manos.
No retire los troncos atascados con sus manos.



• NO FUERCE LA HERRAMIENTA

Ésta hará un mejor trabajo y más seguro a su velocidad de diseño. Nunca intente dividir troncos más grandes que los indicados en la tabla de especificaciones. Esto podría ser peligroso y puede dañar la máquina.
No use el divisor de troncos para una finalidad que no sea para la que se diseñó.

• NUNCA DEJE LA HERRAMIENTA FUNCIONANDO SIN ATENCIÓN

No deje la herramienta hasta que se haya parado por completo.

• DESCONECTE LA ALIMENTACIÓN

Desenchufe cuando no esté en uso, antes de hacer ajustes, cambiar piezas, la limpieza, o trabajar en el divisor de troncos; consulte el manual técnico antes de dar servicio.



• PROTEJA EL MEDIOAMBIENTE

Lleve el aceite usado a un punto de recolección autorizado o siga las estipulaciones en el país donde se emplea el divisor de troncos.
No descargue en drenajes, el suelo o agua.



• MANTENGA SU DIVISOR DE TRONCOS CON CUIDADO

Mantenga el divisor de troncos limpio para un mejor funcionamiento y más seguro.

• HAGA EL TALLER A PRUEBA DE NIÑOS

Cierre el taller con llave. Desconecte los interruptores generales. Guarde el divisor de troncos lejos de niños y otras personas no calificadas para utilizarlo.

ÍNDICE

Advertencias y precauciones de seguridad	2
Condiciones de aplicación	5
Especificaciones	5
Requerimientos eléctricos	5
Configuración y preparación para la operación	6
Diagrama de cableado	7
Diagrama de fontanería	7
Operación del divisor de troncos	8
Liberación de un tronco atascado	9
Sustitución del aceite hidráulico	10
Afilar la cuña	10
Resolución de problemas	11
Esquema de piezas	12

CONDICIONES DE APLICACIÓN

This log splitter is a home use model. It is designed for operating under ambient temperatures between +5°C and 40°C and for installation at altitudes no more than 1000m above M.S.L. The surrounding humidity should be less than 50% at 40°C. It can be stored or transported under ambient temperatures between -25°C and 55°C.

ESPECIFICACIONES

Modelo número	500153 (65558-7)	
Motor	230 V – 50 Hz 2300 W IP54	
	Diámetro *	5 – 25 cm
	Longitud	52 cm
Fuerza de división	7 t	
Presión hidráulica	24 MPa	
Capacidad de aceite hidráulico	3.5 l	
Tamaño total	Longitud	940 mm
	Ancho	270 mm
	Altura	510 mm
Peso	45 kg	

* El diámetro del tronco es indicativo. Puede ser difícil dividir un tronco pequeño cuando tiene nudos o una fibra particularmente resistente. Por otra parte, puede no ser difícil dividir troncos con fibras regulares aún si el diámetro excede la cifra máxima indicada anteriormente.

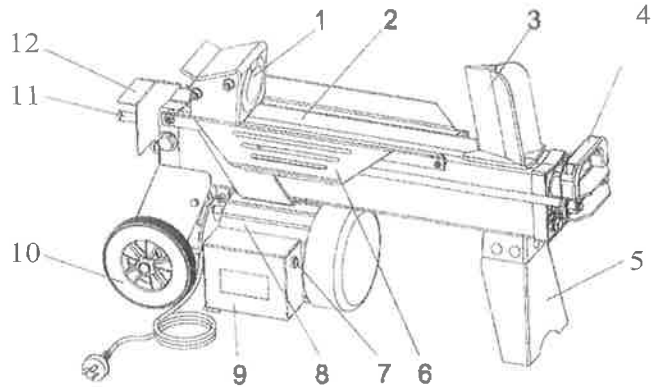
REQUERIMIENTOS ELÉCTRICOS

Conecte los conductores principales a una alimentación eléctrica estándar de 230 V – 50 Hz que tenga dispositivos de protección de tensión insuficiente, tensión excesiva, corriente excesiva así como dispositivo de corriente residual (RCD) con corriente residual máxima clasificada a 0.03 A

CONFIGURACIÓN Y PREPARACIÓN PARA LA OPERACIÓN

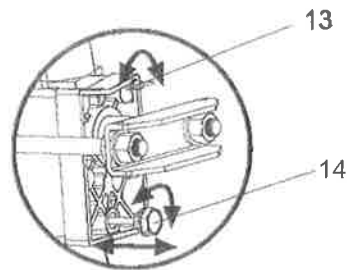
1. Atornille la pata de soporte al divisor de troncos, levante el divisor de troncos por las manijas en ambos extremos y póngalo sobre una superficie de trabajo de 60 - 75 cm de alto, estable, plana y nivelada.
2. Familiarícese con los controles y características de este divisor de troncos en las ilustraciones.

1. Empujador de troncos
2. Mesa de trabajo
3. Cuña
4. Manija de levantamiento
5. Pata de soporte
6. Placas de retención de troncos
7. Interruptor
8. Motor
9. Caja de pulsador
10. Ruedas para movimiento menor



ÚNICAMENTE.

11. Palanca de control hidráulico
12. Protección de palanca de control
13. Tornillo de purga
14. Perno de drenaje de aceite con varilla de medición



Antes de operar el divisor de troncos, se debe aflojar el tornillo de purga unas pocas vueltas hasta que el aire pueda entrar y salir sin problemas del depósito de aceite.

El flujo de aire a través del orificio del tornillo de purga debe ser detectable cuando el divisor de troncos está en funcionamiento.

Antes de mover el divisor de troncos, cerciórese de que el tornillo de purga está apretado para evitar fugas de aceite de este punto.



NO AFLOJAR EL TORNILLO DE PURGA MANTENDRÁ EL AIRE SELLADO EN EL SISTEMA HIDRÁULICO COMPRIMIÉNDOSE DESPUÉS DE DESCOMPRIMIRSE. DICHA COMPRESIÓN Y DESCOMPRESIÓN CONTINUA DEL AIRE REVENTARÁ LOS SELLOS DEL SISTEMA HIDRÁULICO Y OCASIONARÁ DAÑO PERMANENTE AL DIVISOR DE TRONCOS.

15. Tornillo de limitación de presión máxima

NO AJUSTE EL TORNILLO DE LIMITACIÓN DE PRESIÓN MÁXIMA

La presión máxima se ajustó en la fábrica y el tornillo de limitación de presión máxima está sellado con pegamento para asegurar que el divisor de troncos trabaja bajo la presión máxima de 7 toneladas.

Un mecánico calificado realizó el ajuste con instrumentos profesionales

El reajuste no autorizado ocasionará que la bomba hidráulica no dé salida a una presión de división suficiente o **RESULTE EN LESIÓN GRAVE ASÍ COMO DAÑO A LA MÁQUINA.**

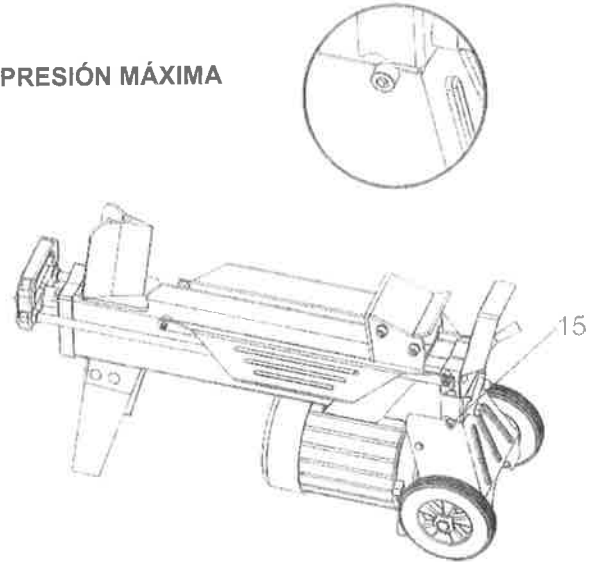
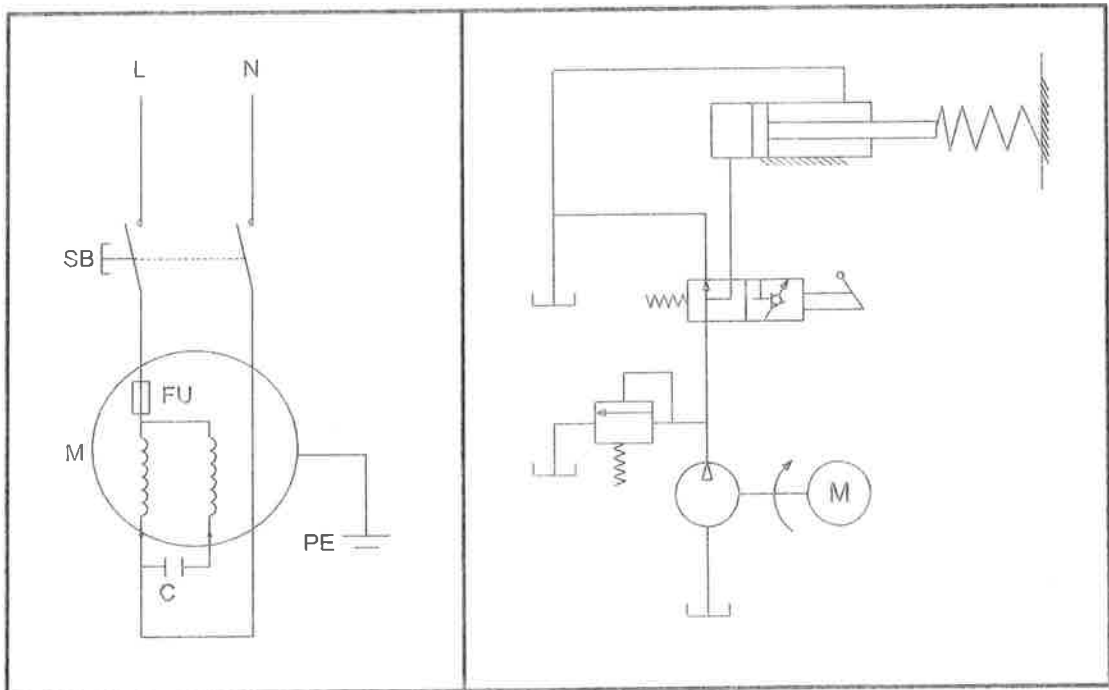
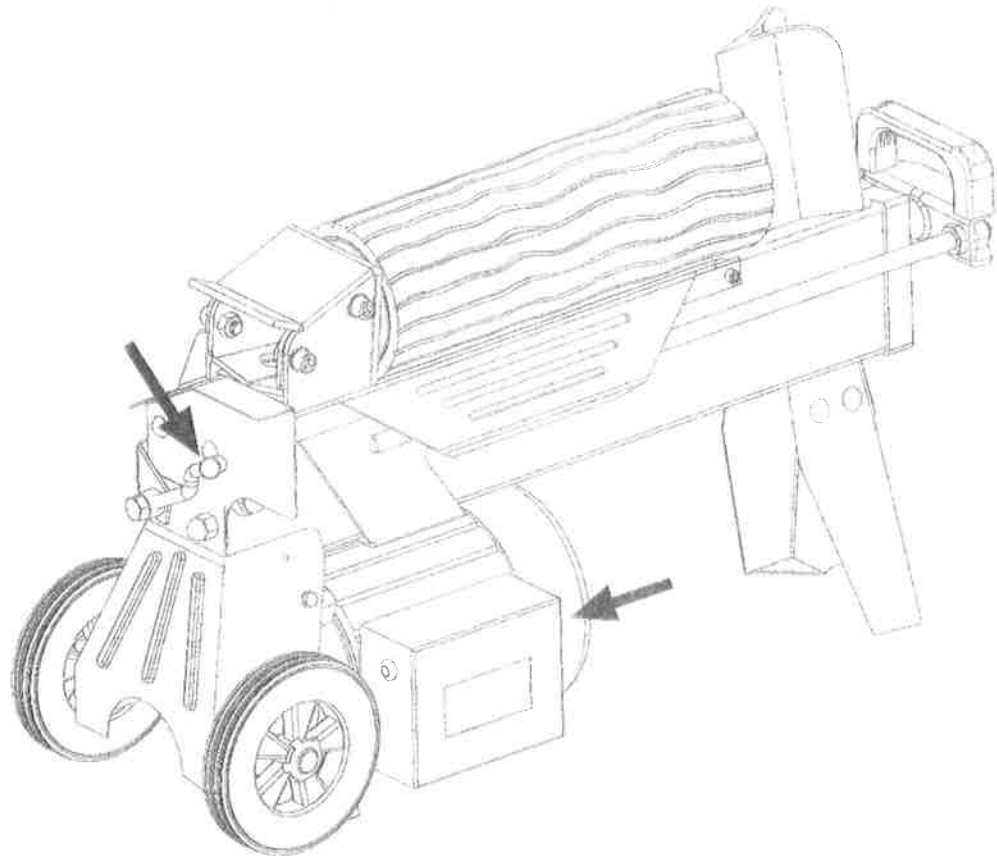


DIAGRAMA DE CABLEADO

DIAGRAMA DE ACEITE



OPERACIÓN DEL DIVISOR DE TRONCOS



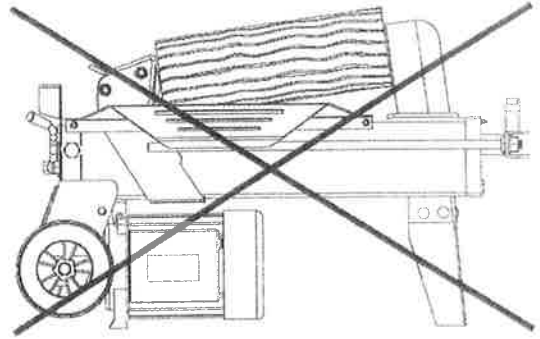
Este divisor de troncos está equipado con el sistema de control "ZHB" que requiere que se opere con ambas manos del usuario - La mano izquierda controla la palanca de control hidráulico mientras la mano derecha controla el interruptor pulsador. El divisor de troncos se congelará en la ausencia de cualquier mano. Sólo después que ambas manos liberan los controles, el empujador de troncos comienza a regresar atrás a la posición de inicio.

El dispositivo de bloqueo tipo disparador se adopta para evitar el empuje descendente de la palanca de control hidráulico. Para operar la palanca de control hidráulico, retire el disparador hacia atrás con el dedo índice antes de empujar hacia adelante la palanca de control hidráulico.

Nunca fuerce el divisor de troncos durante más de 5 segundos manteniendo la presión en éste para dividir madera excesivamente dura.

Después de este intervalo de tiempo, el aceite bajo presión se sobrecalentará y la máquina podría dañarse. Para dicho tronco extremadamente duro, gírelo 90° para ver si se puede dividir en una dirección diferente. En cualquier caso, si no puede dividir el tronco, esto significa que su dureza excede la capacidad de la máquina y así que el tronco debe desecharse para proteger el divisor de troncos.

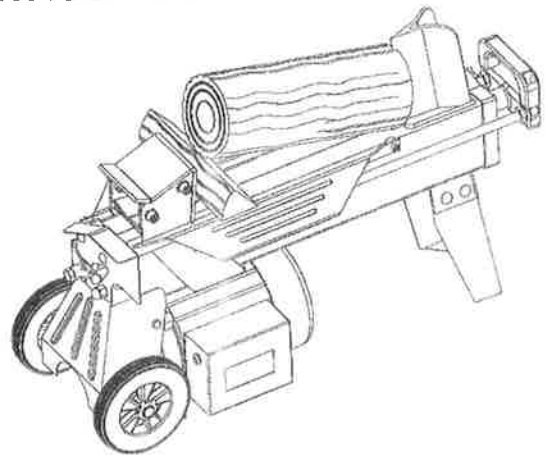
Siempre fije los troncos firmemente en las placas de retención de troncos y la mesa de trabajo. Cerciórese de que los troncos no girarán, sacudirán o deslizarán mientras se dividen. No fuerce la cuchilla dividiendo el tronco en la parte superior. Esto romperá la cuchilla o dañará la máquina.



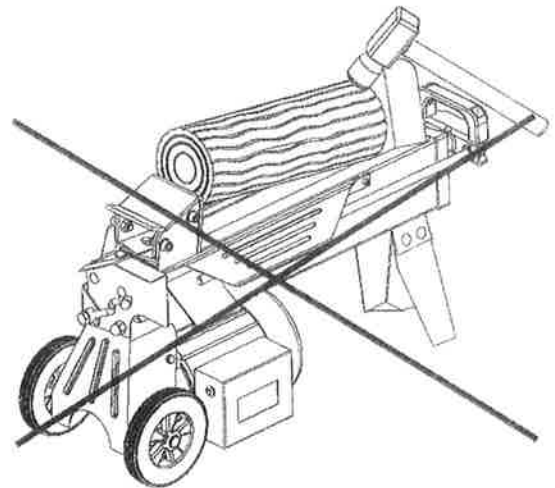
Rompa el tronco en la dirección de crecimiento de su grano. No ponga el tronco a través del divisor de troncos para la división. Esto podría ser peligroso y puede dañar seriamente la máquina. No intente dividir dos piezas de troncos al mismo tiempo. Uno de ellos podría volar y golpearle.

LIBERACIÓN DE UN TRONCO ATASCADO

- Libere ambos controles.
- Después que el empujador de troncos se mueve atrás y se detiene completamente a su posición de inicio, inserte una cuña de madera bajo el tronco atascado.
- Arranque el divisor de troncos para empujar la cuña de madera para que llegue completamente bajo el tronco atascado.
- Repita el procedimiento anterior con cuñas de madera de pendiente más aguda hasta que el tronco se libere completamente.



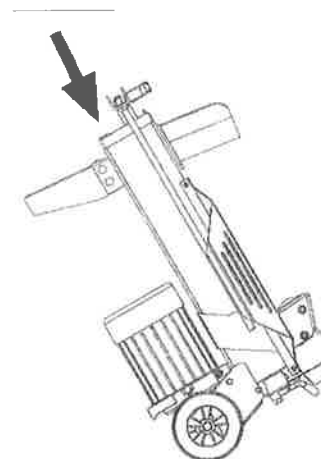
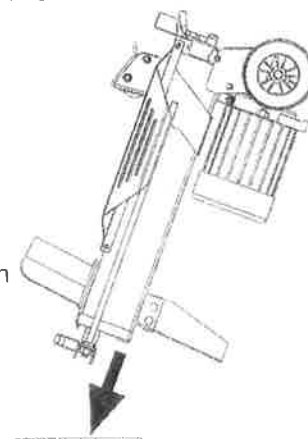
No intente golpear el tronco atascado. Golpear dañará la máquina o puede lanzar el tronco y ocasionar un accidente.



SUSTITUCIÓN DEL ACEITE HIDRÁULICO

Sustituya el aceite hidráulico en el divisor de troncos después de cada 150 horas de uso. Lleve a cabo los siguientes pasos para sustituirlo.

- Cerciórese que todas las piezas móviles están detenidas y que el divisor de troncos está desenchufado.
- Desatornille el perno de drenaje de aceite con varilla de medición
- Gire el divisor de troncos sobre el lado de la pata de soporte sobre un contenedor con capacidad de 4 litros para drenar el aceite hidráulico.
- Gire el divisor de troncos sobre el lado del motor.
- Rellene con aceite hidráulico nuevo al volumen según la capacidad de aceite hidráulico del modelo particular indicado en la tabla de especificaciones anterior.
- Limpie la superficie de la varilla medidora en el perno de drenaje de aceite y póngala de nuevo en el depósito de aceite mientras mantiene vertical el divisor de troncos.
- Cerciórese que el nivel del aceite rellenado está justo entre las 2 ranuras alrededor de la varilla de medición.
- Limpie el perno de drenaje de aceite antes de enroscarlo de nuevo. Cerciórese que está apretado para fuga antes de poner horizontal el divisor de troncos.



Periódicamente verifique el nivel de aceite para asegurarse que está entre las 2 ranuras alrededor de la varilla medidora. Ante un nivel de aceite más bajo, rellene el aceite, si se requiere.

Se recomiendan los siguientes aceites hidráulicos o equivalentes para el sistema de transmisión hidráulica del divisor de troncos:

SHELL Tellus 22

MOBIL DTE 11

ARAL Vitam GF 22

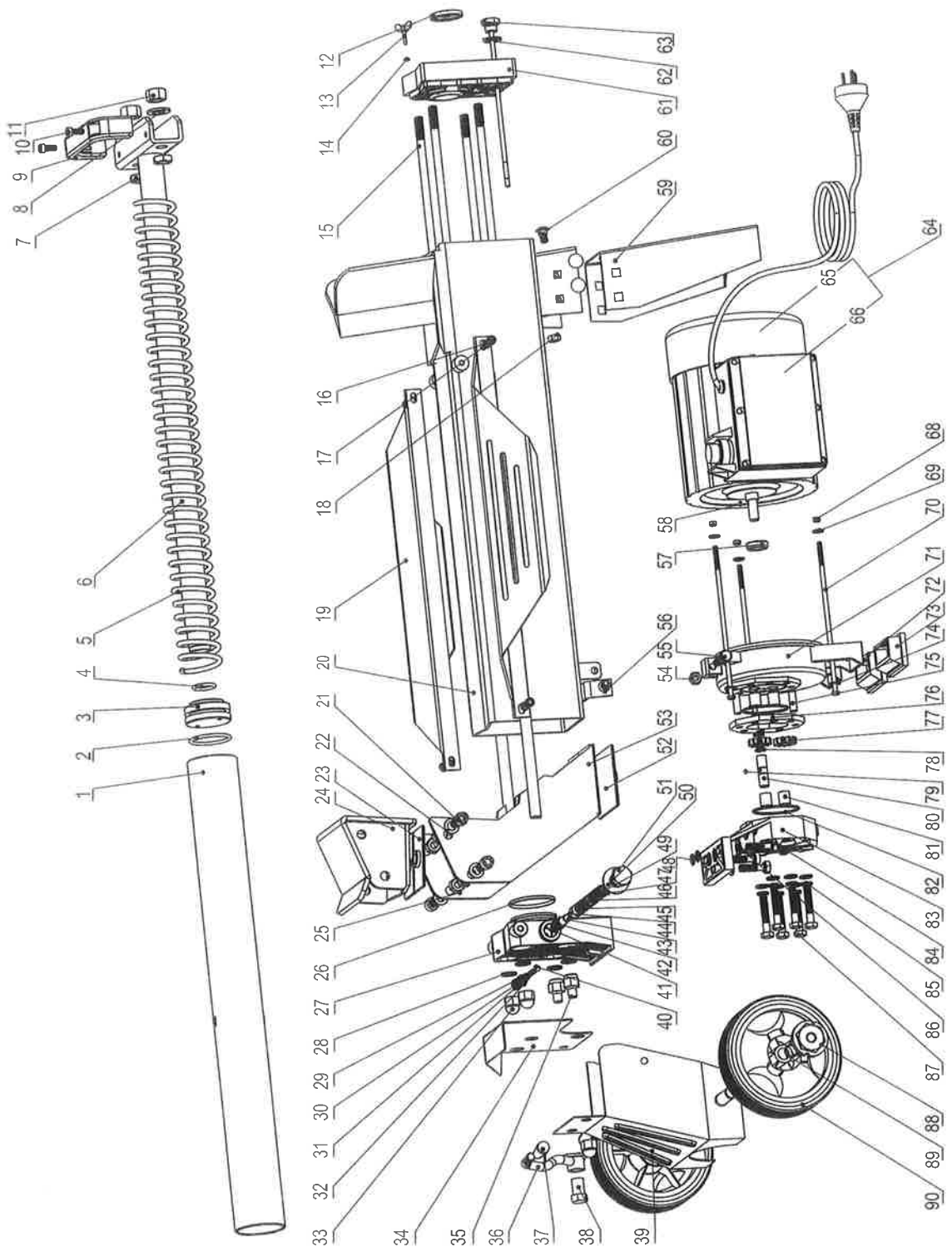
BP Energol HLP-HM 22

AFILAR LA CUÑA

Después de usar los divisores de troncos durante algún tiempo, afile la cuña del divisor de troncos utilizando una lima fina y alise todas las rebabas o áreas aplastadas a lo largo del borde de corte.

RESOLUCIÓN DE PROBLEMAS

PROBLEMA	CAUSA PROBABLE	REMEDIO SUGERIDO
No divide troncos	El tronco está posicionado incorrectamente	Consulte la sección "Operación del divisor de troncos" para una carga perfecta del tronco.
	Las dimensiones o la dureza del tronco exceden la capacidad de la máquina	Reduzca las dimensiones del tronco antes de dividirlo en el divisor de troncos
	El borde de corte de la cuña está desafilado	Consulte la sección "Afilarse la cuña" para afilar el borde de corte.
	Fugas de aceite	Localice la(s) fuga(s) y contacte con el distribuidor
	Si hizo un ajuste no autorizado en el tornillo de limitación de presión máxima. Se fijó una clasificación de presión máxima más baja.	Contacte con el distribuidor.
El empujador de troncos se mueve torpemente, haciendo un ruido desconocido o vibrando demasiado	Falta de aceite hidráulico y aire excesivo en el sistema hidráulico.	Verifique el nivel de aceite para el posible relleno del mismo. Contacte con el distribuidor.
Fugas de aceite alrededor del pistón del cilindro o de otros puntos.	Aire sellado en el sistema hidráulico al estar en operación.	Afloje el tornillo de purga de 3 a 4 vueltas antes de operar el divisor de troncos
	El tornillo de purga no está apretado antes de mover el divisor de troncos.	Apriete el tornillo de purga antes de mover el divisor de troncos.
	El perno de drenaje de aceite con varilla de medición no está apretado.	Apriete el perno de drenaje de aceite con varilla de medición.
	Conjunto de válvula de control hidráulico y/o sello(s)	Contacte con el distribuidor



Ser. No.	Description	Type	Quantity
1	Cylinder	20	1
2	Piston O-ring		1
3	Piston	ZL108	1
4	O-ring	NR	1
5	Spring	65Mn	1
6	Piston Rod Weldment	Q235-A	1
7	Nut	35	2
8	Washer	Q235-A	2
9	Moving Handle	ABS	1
10	Hex. Bolt	35	2
11	Nut, M14	35	2
12	Platic Seal	PU	1
13	Wing Screw / Bleed Screw	Q235-A	1
14	O-ring	NR	1
15	Long Stub	45	4
16	Hex. Bolt	35	6
17	Spring washer	6	4
18	Nut	35	5
19	Support Plate	Q235-A	2
20	Tube Frame / Oil Tank	Q235-A	1
21	Hex. Bolt	35	4
22	Washer	Q235-A	4
23	Upper Plastic Insert	ABS	1
24	Log Pusher Weldment	Q235-A	1
25	Nut	35	4
26	O-ring	NR	1
27	Cylinder Cover - Left	ZL108	1
28	Copper Gasket	Gu	4
29	Safety Valve Spring	65Mn	1
30	Screw	35	1
31	Safety Valve Bolt	Q235-A	1
32	O-ring	NR	1
33	Round Head Nut	35	3
34	Lever Guard	Q235-A	1
35	Nut	45	2
36	Lever Weldment	Q235-A	1
37	Lever Head	ABS	1
38	Lever Nut	Q235-A	1
39	Wheel Frame Plate Weldment	Q235-A	1
40	Steel Ball, 6	GCr15	1
41	Cirelip	65Mn	1
42	Restore Valve Spring	65Mn	1
43	Valve Rod	GCr15	1
44	O-ring	NR	1
45	Valve Sleeve	GCr15	1
46	O-ring	NR	5
47	Sliding Sleeve Spring	65Mn	1
48	O-ring	NR	2
49	Sliding Sleeve	GCr15	1
50	Washer	Q235-A+NR	1
51	Valve Plug	Q235-A	1
52	Lower Plastic Insert	ABS	1
53	Drawing Weldment	Q235-A	1
54	Loose Nut	35	1
55	Hex. Bolt	35	1
56	Washer	Q235-A	2
57	Motor Shaft Seal	PU	1
58	Steel Ball, 2.5	GCr15	1
59	Carriage	35	5
60	Support Leg	Q235-A	1
61	Cylinder Cover - Right	ZL108	1
62	Dipstick Gasket	Q235-A+NR	1
63	Dipstick	Q235-A	1
64	Motor with switch		1
65	Motor		1
66	Switch box	PA66	1
68	Nut	35	1

Ser. No.	Description	Type	Quantity
69	Spring Washer	65Mn	3
70	Bolt	35	3
71	Motor Cover	ZL108	1
72	Motor Support Shoe - Left	PVC	1
73	Motor Support Shoe - Right	PVC	1
74	Washer	Q235-A	9
75	Pin	40Cr	2
76	Gear Housing Plate	HT200	1
77	Gear	粉末冶金	2
78	Gear Shaft Snap Washer	65Mn	2
79	Pin	40Cr	1
80	Gear Shaft	40Cr	1
81	Sliding Bearing	SF-1	4
82	O-ring	NR	2
83	Pump Cover	ZL108	1
84	Bolt	35	3
85	Spring washer	65Mn	9
86	Washer	Q235-A	9
87	Bolt	35	6
88	Wheel Cover	PE	2
89	Wheel Shaft Snap Ring	65Mn	2
90	Wheel	PU+PP	2