



MARCA



MODELO

BEAR 804VE V-20

Categoría producto: CACHADORA

Grupo producto: ELECTRICO

Potencia: 3.000 W

Versión: 804VE20

Publicación: 03-21

Cod. Máquina: 51-0014

FIGURA 1

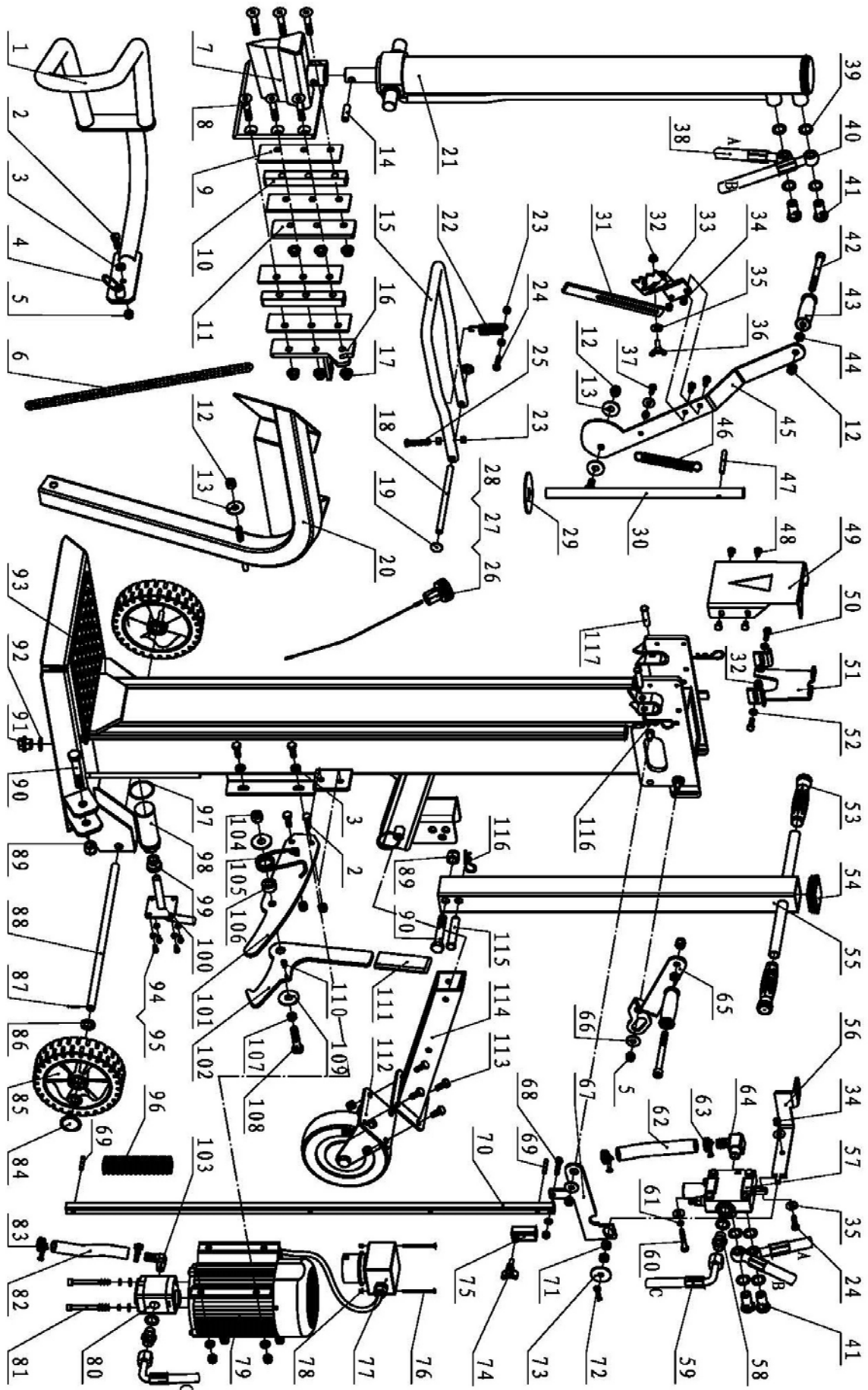


FIGURA 1 - BEAR 804VE V-20

Nº	Nº Ref.	Descripción	English name	Uds.
1	1657080120010Z05	BRAZO SOPORTE IZQUIERDO	LEFT GUARD BRACKET	1
2	20104010030388	TORNILLO M10X30	BOLT M10X30	7
3	204010100003	ARANDELA 10	FLAT WASHER 10	9
4	1657080001610Z03	PASADOR FIJADOR BRAZO	LOCATING PIN HANDLE	2
5	2030701003	TUERCA M10	LOCKNUT M10	13
6	1657080001740Z03	CADENA	LIFT CHAIN 6	1
7	1657100480100Z05	CACHA CORTE	WEDGE WELDMENT	1
8	202130120653	TORNILLO M12X65	BOLT M12X65	6
9	1657080481060S00	PLACA FRICCIÓN	FRICTION PLATE	4
10	1657080481070S00	DEFLECTOR	BAFFLE PLATE	2
11	1657080481080Z05	PLACA IZQUIERDA	LEFT PLATE	1
12	2030701203	TUERCA M12	LOCKNUT M12	4
13	204020120003	ARANDELA 12	LARGE WASHER 12	3
14	2060312004501	PASADOR CILINDRICO 8X40	CYLINDRICAL PIN 8X40	1
15	1657100001181Z05	BARRA ASIDERO U	CONTROL U-HANDLE	1
16	1657100480200Z05	PLACA DERECHA	RIGHT PLATE	1
17	2030801203	TUERCA M12	NUT M12	6
18	1657100001230Z03	PASADOR EJE BARRA	AXIS PIN	1
19	1CCZ2881010Z00	TAPA PASADOR EJE	WHEEL CAP 12	2
20	1657080000180Z05	BRAZO PROTECCION ELEVACION	LIFT GUARD	1
21	1657100550010Z00	CILINDRO TUBO	CYLINDER	1
22	1657080001300Z03	MUELLE	SPRING	1
23	2030300803	TUERCA M8	NUT M8	5
24	20104008030388	TORNILLO M8X30	BOLT M8X30	2
25	20104008050388	TORNILLO M8X50	BOLT M8X50	1
26	1657080000170S00	TAPON ACEITE	OIL CAP	1
27	210010250265	ANILLO 25X2.65	O- RING 25X2.65	1
28	1657080001071Z00	VARILLA ACEITE	OIL DIPSTICK	1
29	1657080001190S00	ARANDELA	NYLON WASHER	1
30	1657080140111Z05	EJE	SHAFT	1
31	1657080141020Z03	PLACA FIJACION	EXTENDED LOG FIXING CLAW	1
32	2030800803	TUERCA M8	NUT M8	3
33	1657080140120Z05	GARRA FIJACION	LOG FIXING CLAW	1
34	2030700803	TUERCA M8	LOCKNUT M8	4
35	204020080003	ARANDELA 8	LARGE WASHER 8	6
36	1657080141030Z03	TORNILLO M8X25	WING BOLT M8X25	1
37	20102008020348	TORNILLO M8X20	BOLT M8X20	3
38	1657080001060Z00	MANGUERA INFERIOR	LOWER HOSE	1
39	204120200006	ARANDELA 20	COMBINED WASHER 20	10



BEAR 804VE V-20



FIGURA 1 - BEAR 804VE V-20

Nº	Nº Ref.	Descripción	English name	Uds.
40	1657080001050Z00	MANGUERA SUPERIOR	UPPER HOSE	1
41	1656990581040Z03	VALVULA CONECTOR	VALVE CONNECTER	4
42	202110121201	TORNILLO M12X120	SCREW M12X120	2
43	1CCZ2001250S00	POMO PALANCA	OPERATING HANDLE GRIP	2
44	2030501203	TUERCA M12	THIN NUT M12	2
45	1657080141210Z05	PALANCA	LEVER	1
46	1657080141010Z03	MUELLE RESORTE	RESET SPRING	1
47	2060308006001	PASADOR CILINDRICO 8X60	CYLINDRICAL PIN 8X60	1
48	20102008012348	TORNILLO M8X12	BOLT M8X12	4
49	1657100001160Z05	PLACA APOYO DE LENTERA CILINDRO	FRONT SUPPORT PLATE FOR CYLINDER	1
50	20102008025348	TORNILLO M8X25	BOLT M8X25	2
51	1657100001151Z05	PLACA APOYO TRASERA CILINDRO	REAR SUPPORT PLATE FOR CYLINDER	1
52	204010080003	ARANDELA 8	FLAT WASHER 8	3
53	1CCA0021040S00	POMO BARRA TRANSPORTE	HANDLE GRIP	1
54	1656960101020S00	TAPON BARRA TRANSPORTE	SQUARE PLUG	1
55	1657080100110Z05	BARRA TRANSPORTE	PULL ROD	1
56	1657100001021Z05	PLACA CONEXION VALVULA	CONNECTING PLATE FOR VALVE	1
57	1657080580110Z00	VALVULA	VALVE	1
58	1657080581010Z00	CONEXION MANGUERA	HOSE NIPPLE	2
59	1657080000160Z00	TUBO ENTRADA	INLET HOSE	1
60	20103008050388	TORNILLO M8X50	BOLT 8.8 M8X50	2
61	204070080003	ARANDELA 8	SPRING WASHER 8	4
62	1CCA019000S00	TUBO ACEITE 19	OIL HOSE 19	0,23
63	214010280360	ABRAZADERA TUBO ACEITE 28-36	HOSE CLAMP 28-36	2
64	1657080581020Z00	CODO CONECTOR MANGUERA	HOSE CONNECTOR	1
65	1657080401010Z05	PALANCA DERECHA ACCIONAMIENTO	RIGHT OPERATING LEVER	1
66	204020100003	ARANDELA 10	LARGE WASHER 10	2
67	1657080000210Z05	PLACA CONECTORA	CONNECTIN LEVER	1
68	20104008040388	TORNILLO M8X40	BOLT 8.8 M8X40	1
69	2060306004001	PASADOR CILINDRICO 6X40	CYLINDRICAL PIN 6X40	2
70	1657080001251Z05	BARRA AJUSTE GUIA	STROKE ADJUSTING LEVER	1
71	1656990001140Z03	ARANDELA	ROUND PLATE	2
72	1CVC0381230Z03	CLIP 2,5	CLIP 2.5	1
73	204040010003	ARANDELA 10	LARGE WASHER 10	1
74	1CCK0000110S00	POMO AJUSTE	STAR KNOB	1
75	1656990000200Z05	MANGUITO AJUSTE	ADJUSTING SLEEVE	1
76	202010040603	TORNILLO M4X60	SCREW M4X60	2
77	1HCK3T230400S00	INTERRUPTOR	SWITCH	

FIGURA 1 - BEAR 804VE V-20

Nº	Nº Ref.	Descripción	English name	Uds.
78	2030700403	TUERCA M4	LOCKNUT M4	2
79	1657110180010Z07	MOTOR ELECTRICO	SINGLE PHASE MOTOR	1
80	1657110260120Z00	BOMBA ENGRANAJE	GEAR PUMP 2.4	1
81		SCREW M8X90	SCREW M8X90	1
82	1FBJ001020Z00	TUBO ACEITE 16	OIL HOSE 16	0,19
83	214010200260	ABRAZADERA TUBO ACEITE 20-26	HOSE CLAMP 20-26	2
85	1657080200210S00	RUEDA	WHEEL	2
86	204010160003	ARANDELA 16	FLAT WASHER 16	8
87	2060502002003	CHAVETA 2X20	COTTER PIN 2X20	2
88	1657080001100Z03	EJE RUEDA	WHEEL AXLE	1
89	2030701603	TUERCA M16	LOCKNUT M16	2
90	20103016090388	TORNILLO M16X90	BOLT 8.8, M16X90	2
91	1656990001750Z03	TORNILLO CIERRE	SCREW PLUG	1
92	204120220006	ARANDELA 22	COMBINED WASHER 22	1
93	1657100110010Z05	CHASIS PRINCIPAL	MAIN FRAME	1
94	20104006012388	TORNILLO M6X12	BOLT 8.8 M6X12	4
95	204010060003	ARANDELA 6	FLAT WASHER 6	4
96	1656990001200Z01	MUELLE TOPE	BUFFER SPRING	1
97	210010500265	ANILLO 50X2.65	O- RING 50X2.65	1
98	1WU40CZY0Z00	FILTRO ACEITE	OIL FILTER K	1
99	1CCK0001260Z00	CASQUILLO	BUSH K	1
100	1657080170110Z05	PLACA FIJACION FILTRO	FLANGE	1
101	1657080601040Z05	PLACA	LOCATING PLATE	1
102	1657080601050Z08	PLACA GANCHO	HOOK	1
103	1CCH000202BZ03	BOQUILLA RECTANGULAR	RECTANGULAR NOZZLE	1
104	2030701403	TUERCA M14	LOCKNUT M14	1
105	1656990601020Z03	MUELLE TORSION	TORSIONAL SPRING	1
106	1656990601030Z03	COJINETE	LOCATING BUSH FOR SPRING	1
107	1657080601010Z00	CASQUILLO	LOCATING BUSH	1
108	20103014060388	TORNILLO M14X60	BOLT 8.8 M14X60	1
109	204020140003	ARANDELA 14	LARGE WASHER 14	2
110	202110060101	TORNILLO M6X10	SCREW M6X10	1
111	1656990601060S00	EMPUÑADURA	HANDLE GRIP	1
112	1656940001060Z00	RUEDA Y SOPORTE	SUPPORT WHEEL ASSY.	1
113	20102010025348	TORNILLO M10X25	BOLT M10X25	4
114	1657080100120Z05	PATA RUEDA TRANSPORTE	FIXING TUBE	1
115	2060616008503	PASADOR B 16X85	PIN B 16X85	1
116	21201030003	CLIP TIPO R	CLIP 3	3
117	2060612005003	PASADOR B 12X50	PIN B 12X50	2