



**MARCA**



**MODELO**

**CHOPPER 555 VE-V20**

Categoría producto: CACHADORA

Grupo producto: ELECTRICO

Potencia: 3.000 W

Versión: 555VE20

Publicación: 02-21

Cod. Máquina: 51-0013

FIGURA 1

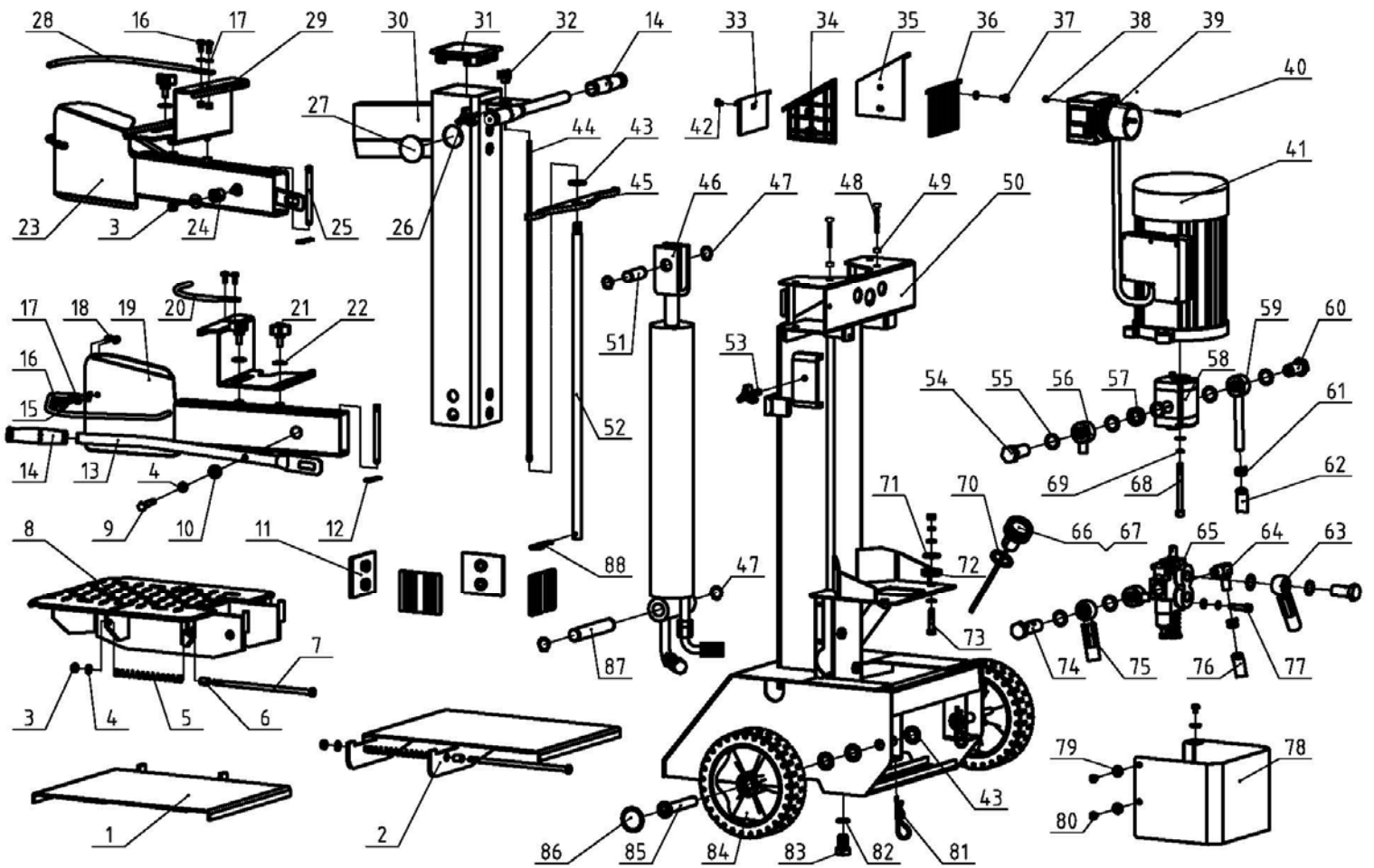


FIGURA 1 - CHOPPER 555 VE-V20

Nº	Nº Ref.	Descripción	English name	Uds.
1	165886050030Z05	SOPORTE LATERAL 2	SIDE LOG SUPPORT 2	1
2	165886050020Z05	SOPORTE LATERAL 1	SIDE LOG SUPPORT 1	1
3	2030700803	TUERCA M8	LOCKNUT M8	4
4	204010080003	ARANDELA 8	WASHER 8	8
5	165886052060Z03	MUELLE	SPRING	2
6	165886052050Z03	CEPILLO	BUSH	2
7	20103008210388	PERNO 8.8 M8X210	BOLT 8.8 M8X210	2
8	165886050010Z05	BASE SOPORTE	LOG SUPPORT C1	1
9	20103008060388	PERNO M8X60 8.8	BOLT 8.8 M8X60	2
10	1CCC103302AS00	CASQUILLO	BUSH 2	2
11	1CCA0001231S00	PLACA FIJACIÓN	LINING PLATE	4
12	1CVC0381230Z03	CLIP 2,5	CLIP 2.5	2
13	165886032010Z05	MANGO PALANCA	HANDLE C1	2
14	1CEC005102RS00	EMPUÑADURA	HANDGRIP	4
15	165886001010Z05	ANILLO SEGURIDAD	GUARD RING C1	2
16	202010060163	TORNILLO M6X16	SCREW M6X16	8
17	204010060003	ARANDELA 6	WASHER 6	6
18	2030700603	TUERCA M6	LOCKNUT M6	8
19	1658860040110Z05	BRAZO DERECHO	RIGHT ARM GUARD C1	1
20	165886001170Z05	FRENILLO	RETAINER 1	1
21	1CCZ2581020S00	POMO ROSCA	STAR KNOB	4
22	204020080003	ARANDELA GRANDE 8	BIG WASHER 8	11
23	165886030110Z05	BRAZO IZQUIERDO	LEFT ARM GUARD C1	1
24	1CCC103301AS00	CASQUILLO	BUSH 1	2
25	1CCC1001040Z03	PIN C1	PIN C1	2
26	1CCKG000130S00	POMO ROSCA M6	STAR KNOB M6	1
27	1CCA0001290S00	TAPÓN	CAP	2
28	165886001180Z05	FRENILLO 2	RETAINER 2	1
29	1658860001060Z05	ABRAZADERA	CLAMP	2
30	1CCC1020010Z05	CACHA CORTE VERTICAL	SPLITTING PIPE G5	1
31	1CCA0001180S00	TAPA SUPERIOR	SQUARE CAP	1
32	1CCH0002080S07	POMO ROSCA M5	STAR KNOB M5(BLACK)	1
33	1CCC1001201S00	TAPA PLACA SUPERIOR 2	UPPER LINING PLATE 2-C	1
34	1CCA0001220S00	REVESTIMIENTO PLACA SUPERIOR	UPPER LINING PLATE 4	1
35	1CCA0001210S00	TAPA PLACA SUPERIOR 3	UPPER LINING PLATE 3	1
36	1CCA0001190S00	TAPA PLACA SUPERIOR 1	UPPER LINING PLATE 1	1
37	202010060083	TORNILLO M6X8	SCREW M6X8	1
38	2030700403	TUERCA M4	LOCKNUT M4	2
39	1HCK3T230560S00	ENCHUFE	SWITCH	1
40	202010040603	TORNILLO M4X60	SCREW M4X60	2
41	1655850180010Z07	MOTOR	65585 MOTOR	1
42	202020060103	TORNILLO M6X10	SCREW M6X10	1
43	204010160003	ARANDELA 16	WASHER 16	7
44	1CCG5001101Z00	VARIILA EMPUJE	PULL ROD G5	1

FIGURA 1 - CHOPPER 555 VE-V20

Nº	Nº Ref.	Descripción	English name	Uds.
45	1CCC100103BZ16	PALANCA	Lever C1	1
46	1CCC1380012Z00	CILINDRO INTERNO	CYLINDER	1
47	205020220001	ANILLO SEGURIDAD 22	CIRCLIP 22	4
48	20102008050348	PERNO M8X50	BOLT M8X50	2
49	2030300803	TUERCA M8	NUT M8	5
50	165886010010Z05	SOPORTE PRINCIPAL	MAIN FRAME C1	1
51	1CCD000103BZ01	EJE CORTO D	SHORT SHAFT D	1
52	1CCC100101BZ00	TUBO	TUBE C1	1
53	1CCK0000110S00	POMO ROSCA	STAR KNOB (BLACK)	1
54	1CCA1002110Z01	TAPÓN ACEITE A1	OIL PLUG A1	1
55	204120200006	ARANDELA	WASHER GROUPWARE	10
56	1CCC100014AZ01	CONECTOR ACEITE	OIL CONNECTOR	1
57	1CCA1002080Z01	CASQUILLO	COLLAR	1
58	1CCC1180031Z00	BOMBA ENGRANAJE	GEAR PUMP	1
59	1CCC1000150Z01	BOQUILLA	NOZZLE	1
60	1CCA2002110Z01	TAPÓN ACEITE A2	OIL PLUG A2	2
61	214010180230	ABRAZADERA TUBO	HOSE CLAMP	4
62	1CCA013000S00	CASQUILLO ACEITE	OIL HOSE 13	1
63	1CCC1000130Z07	CONECTOR ACEITE C1	OIL HOSE C1	1
64	1CCA0003022Z03	BOQUILLA	NOZZLE A	1
65	1CCA0160011Z00	VÁLVULA CCA	CCA VALVE	1
66	1CCK0201010S00	TAPÓN ACEITE	OIL CAP	1
67	1CCKG002030Z03	VARILLA MEDIDORA ACEITE	OIL DIPSTICK	1
68		TORNILLO M8X90	SCREW M8X90	2
69	204070080001	ARANDELA MUELLE 8	SPRING WASHER 8	7
70	210010250265	O-RING 25X2.65	O-RING 25X2.65	1
71	204020100003	ARANDELA GRANDE 10	BIG WASHER 10	3
72	1CCC1001100S00	SOPORTE MOTOR	MOTOR SUPPORT	3
73	20104008045388	PERNO M8X45 8.8	BOLT 8.8 M8X45	3
74	1CCA6501030Z01	TAPÓN ACEITE A6	OIL PLUG A6	1
75	1CCC1000120Z07	CONECTOR ACEITE C1	OIL HOSE C1	1
76	1CCA013000S00	CASQUILLO ACEITE	OIL HOSE 13	1
77	202110080351	TORNILLO M8X35	SCREW M8X35	2
78	1CCC1110110Z05	CARCASA PROTECCIÓN	SHIELD C1	1
79	204020060003	ARANDELA GRANDE 6	BIG WASHER 6	3
80	202010060103	TORNILLO M6X10	SCREW M6X10	5
81	21201030003	CLIP 3	CLIP 3	2
82	204120160006	ARANDELA 16	WASHER GROUPWARE 16	1
83	20102016025348	PERNO M16X25	BOLT M16X25	1
84	1S080200210S10	RUEDA	WHEEL	2
85	1CCC1100110Z03	EJE RUEDA C1	WHEEL AXLE C1	2
86	1S08010101S09	TAPA RUEDA	WHEEL CAP	2
87	1CCA400103AZ01	EJE LARGO	LONG SHAFT A4	1
88	21201040003	CLIP 4	CLIP 4	1